

HARVIL 3-IN-1 POKER TABLE ASSEMBLY INSTRUCTIONS

HARVIL®



NGD2350/NGD2365

THANK YOU!

HARVIL®

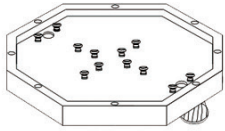


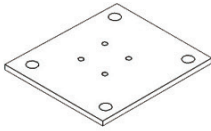
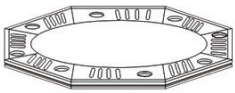
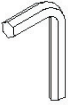
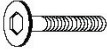




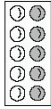

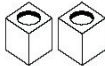
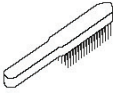
Thank you for your purchase of this Harvil product.

We work around the clock and around the globe to ensure that Harvil products maintain the highest possible quality. However, in the rare instance that your product is defective or missing parts, contact your retailer to submit parts requests or warranty claims. Please read the warranty information at the back of these assembly instructions for further details.

**IMPORTANT! PLEASE READ THESE ASSEMBLY INSTRUCTIONS
IN ENTIRETY BEFORE ASSEMBLING YOUR PRODUCT.**

PARTS IDENTIFIER (NOT TO SCALE)


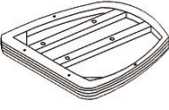
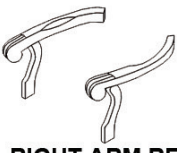


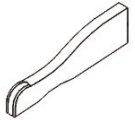
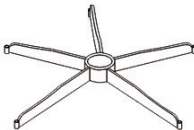



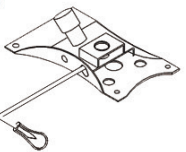



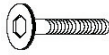

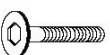
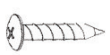

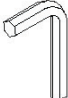

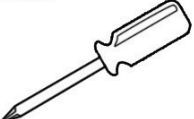
TABLE

<p>#1</p>  <p>TABLE BODY 1 pc</p>	<p>#2</p>  <p>LEG 4 pcs</p>	<p>#3</p>  <p>PEDESTAL 1 pc</p>	<p>#4</p>  <p>PLATE 1 pc</p>	<p>#5</p>  <p>TABLE TOP 1 pc</p>
<p>#6</p>  <p>HEX WRENCH 1 pc</p>	<p>#7</p>  <p>BOLT 4 pcs</p>	<p>#8</p>  <p>FLAT WASHER 16 pcs</p>	<p>#9</p>  <p>WRENCH 1 pc</p>	<p>#10</p>  <p>NUT 12 pcs</p>
<p>#11</p>  <p>LEG LEVELER 1 pc</p>	<p>#12</p>  <p>BUMPER POOL BALLS 1 SET</p>	<p>#13</p>  <p>BUMPER POOL CUE STICK 2 pcs</p>	<p>#14</p>  <p>CHALK 2 pcs</p>	<p>#15</p>  <p>BRUSH 1 pc</p>

PARTS IDENTIFIER (NOT TO SCALE)

CHAIRS

*NUMBER IN () REQUIRED FOR EACH CHAIR

<p>#16</p>  <p>BACK FRAME 4 pcs (1)</p>	<p>#17</p>  <p>SEAT FRAME 4 pcs (1)</p>	<p>#18A/18B</p>  <p>A - RIGHT ARM REST B - LEFT ARM REST 4 pcs (1)</p>	<p>#19</p>  <p>BACK CUSHION 4 pcs (1)</p>	<p>#20</p>  <p>SEAT CUSHION 4 pcs (1)</p>
<p>#21</p>  <p>LEG COVER 20 pcs (5)</p>	<p>#22</p>  <p>BASE 4 pcs (1)</p>	<p>#23</p>  <p>BASE CAP 4 pcs (1)</p>	<p>#24</p>  <p>LIFT COVER 4 pcs (1)</p>	<p>#25</p>  <p>SEAT LIFT 4 pcs (1)</p>
<p>#26</p>  <p>SEAT ADJUSTER 4 pcs (1)</p>	<p>#27</p>  <p>12mm FLAT WASHER 24 pcs (6)</p>	<p>#28</p>  <p>16mm FLAT WASHER 28 pcs (7)</p>	<p>#29</p>  <p>19mm FLAT WASHER 16 pcs (4)</p>	<p>#30</p>  <p>1-3/4" BOLT 36 pcs (9)</p>
<p>#31</p>  <p>3" BOLT 16 pcs (4)</p>	<p>#32</p>  <p>1-1/4" BOLT 16 pcs (4)</p>	<p>#33</p>  <p>1-1/2" SCREW 16 pcs (4)</p>	<p>#34</p>  <p>CASTER WHEEL 20 pcs (5)</p>	<p>#35</p>  <p>HEX WRENCH 1 pc</p>
<p>#36</p>  <p>WOOD CAP 16 pcs (4)</p>	<p>ADDITIONAL EQUIPMENT REQUIRED:</p>  <p>PHILLIPS HEAD SCREWDRIVER</p>			

1. Find a clean, level surface to begin the assembly of your game table. The table will be partially assembled upside down and then turned over onto its legs. This is a heavy game and turning it over will require at least two strong adults.
2. Remove all of the contents from box and verify that you have all of the parts shown on the Parts Identifier before you begin assembly. **Note: Some parts may be pre-installed or pre-assembled.**
3. Some figures or drawings may not look exactly like your product. Please read and understand the text before beginning each assembly step.
4. When installing parts that have more than one screw or bolt, hand tighten all screws or bolts in place before finishing tightening with screwdriver or hex wrench.
5. Electric screwdrivers may be helpful during assembly; however, please set a low torque and use extreme caution because screws may be stripped or overtightened if the electric screwdriver's torque is set too high.

WARNINGS!

READ AND FOLLOW ALL ASSEMBLY, OPERATION AND SAFETY INSTRUCTIONS CAREFULLY.

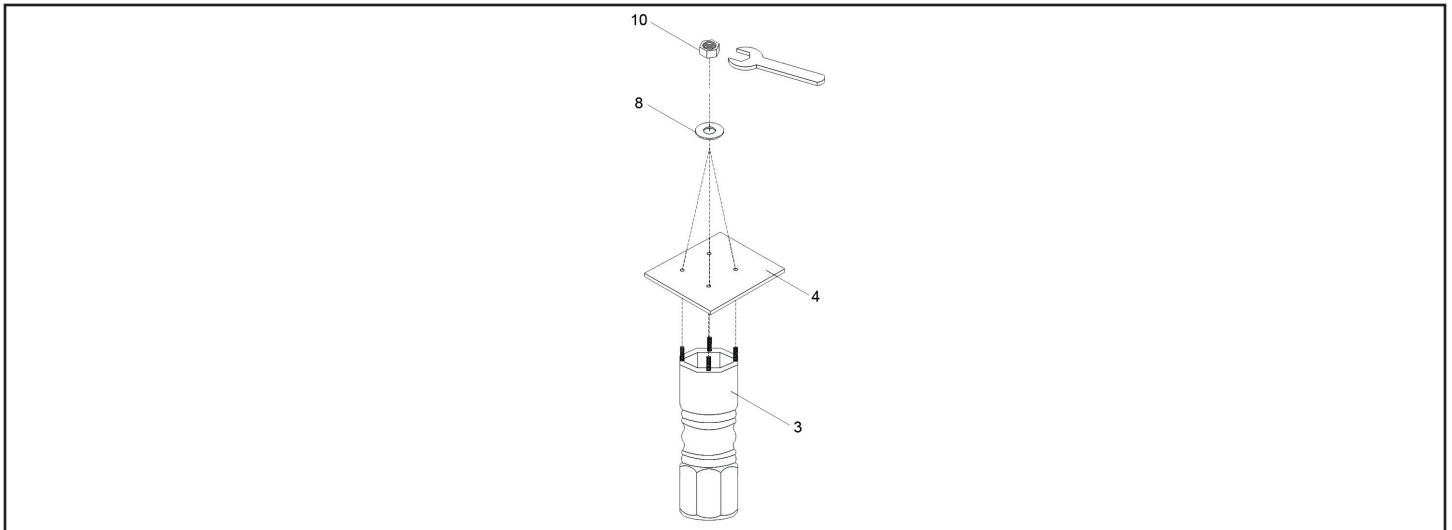
CHOKER HAZARD - THIS TABLE CONTAINS SMALL PARTS - NOT SUITABLE FOR CHILDREN UNDER 3 YEARS OF AGE.

ASSEMBLY INSTRUCTIONS

HARVIL®

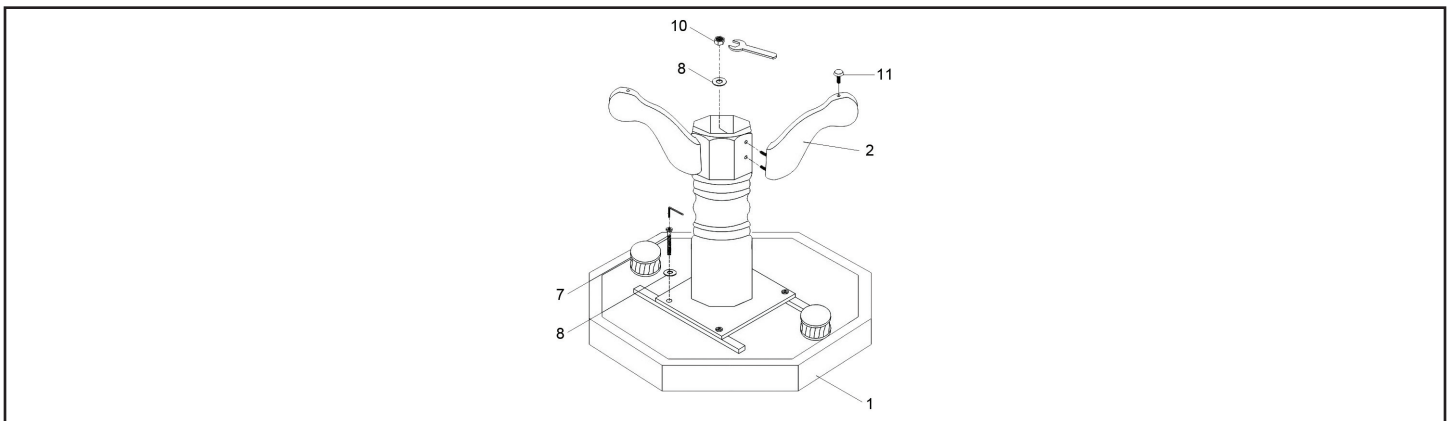
TABLE

1. Attach PLATE #4 to PEDESTAL #3 with NUT #10 and FLAT WASHER #8.

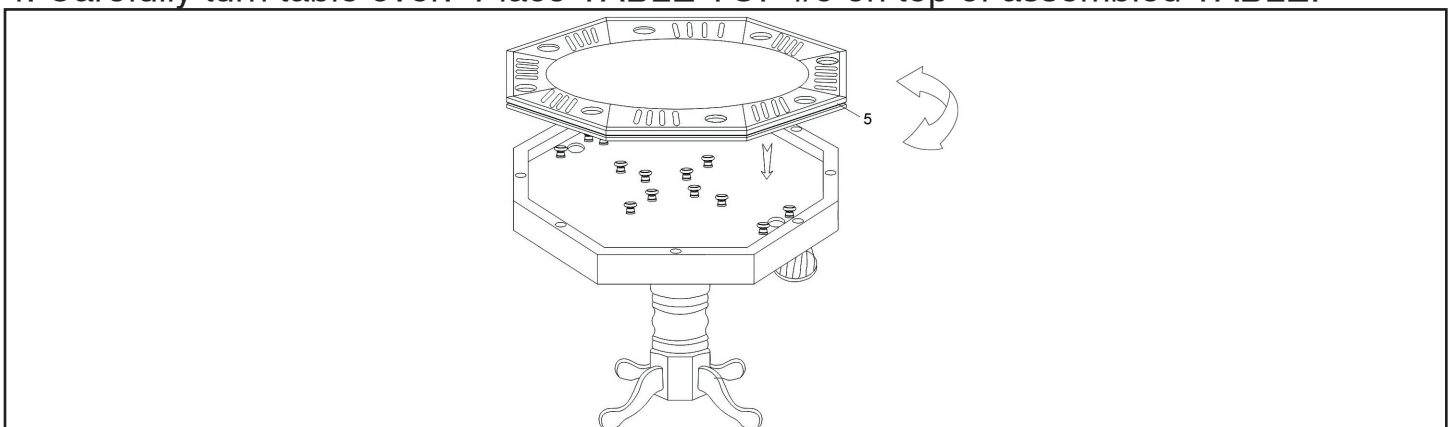


2. Attach assembled PEDESTAL to the bottom of the TABLE BODY #1 with BOLT #7 and FLAT WASHER #8.

3. Attach LEGS #2 to PEDESTAL with NUT #10 and FLAT WASHER #8. Thread one LEG LEVELER #11 onto each LEG.



4. Carefully turn table over. Place TABLE TOP #5 on top of assembled TABLE.



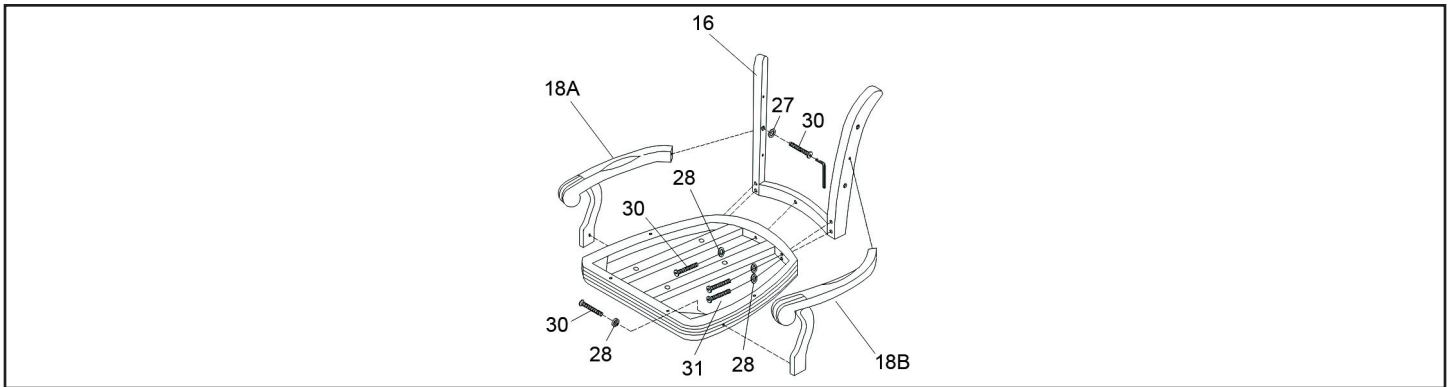
ASSEMBLY INSTRUCTIONS

HARVIL®

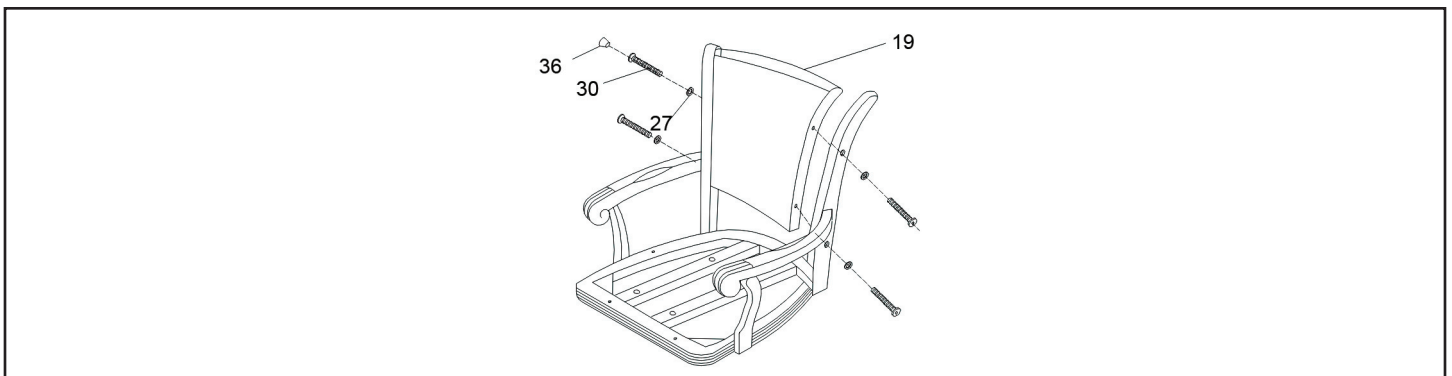
CHAIRS

1. Attach BACK FRAME #16 to SEAT FRAME #17 with one 1-3/4" BOLT #30 and one 16mm FLAT WASHER #28 and four 3" BOLTS #31 and four 16mm FLAT WASHERS #28 as shown.

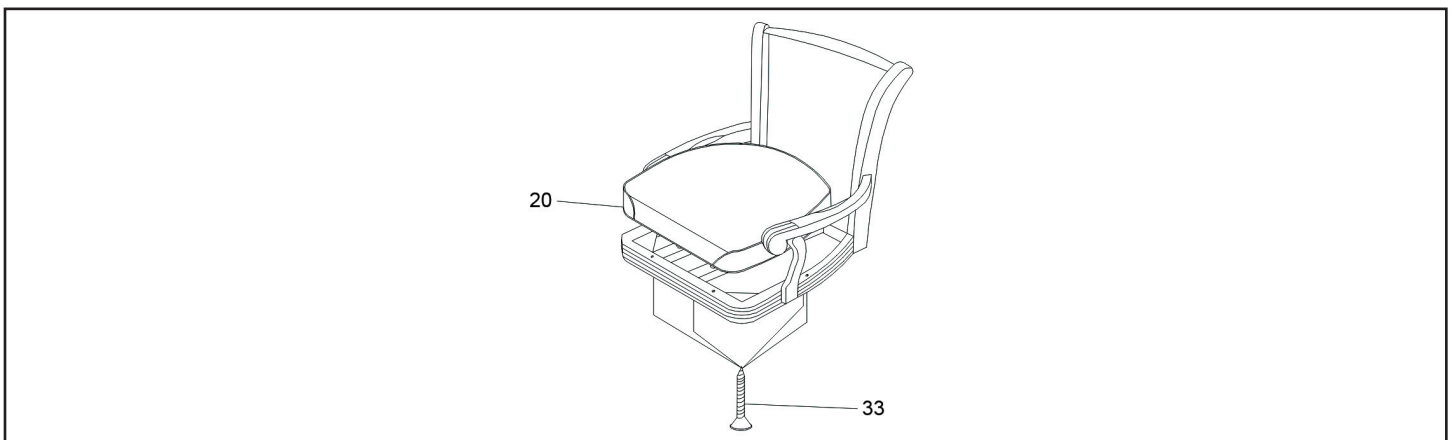
2. Attach RIGHT ARMREST #18A and LEFT ARMREST #18B to SEAT FRAME with 1-3/4" BOLT #30 and 16mm FLAT WASHER #28 and to BACK FRAME with 1-3/4" BOLT #30 and 12mm FLAT WASHER #27.



3. Attach BACK CUSHION #19 to BACK FRAME with 1-3/4" BOLT #30 and 12mm FLAT WASHER #27. Insert WOOD CAPS #36 into BACK FRAME to cover BOLTS.

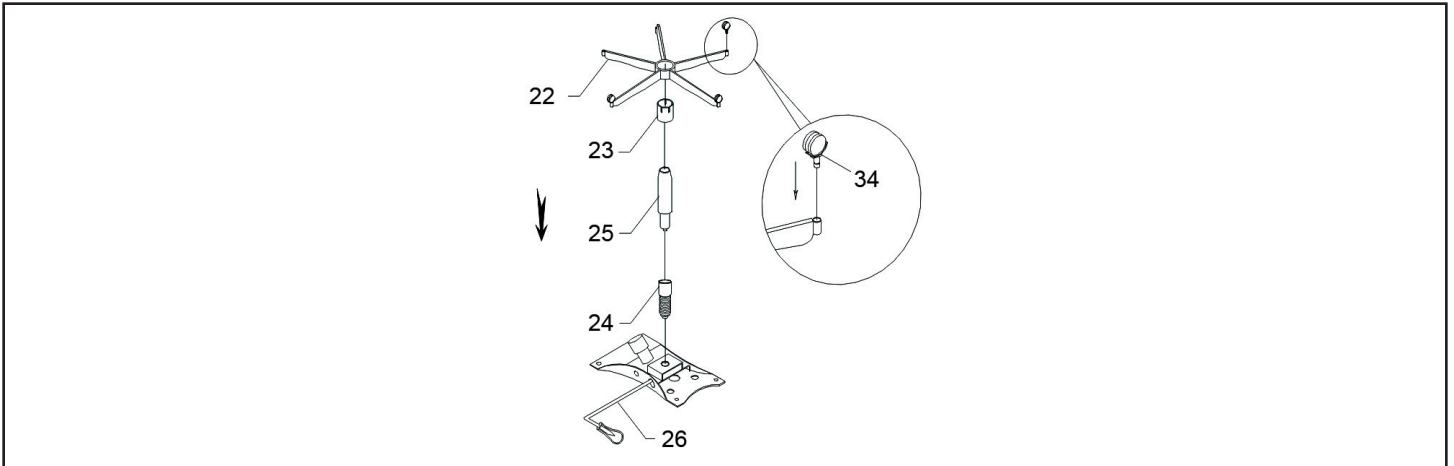


4. Attach SEAT CUSHION #20 to SEAT FRAME with 1-1/2" SCREW #33.

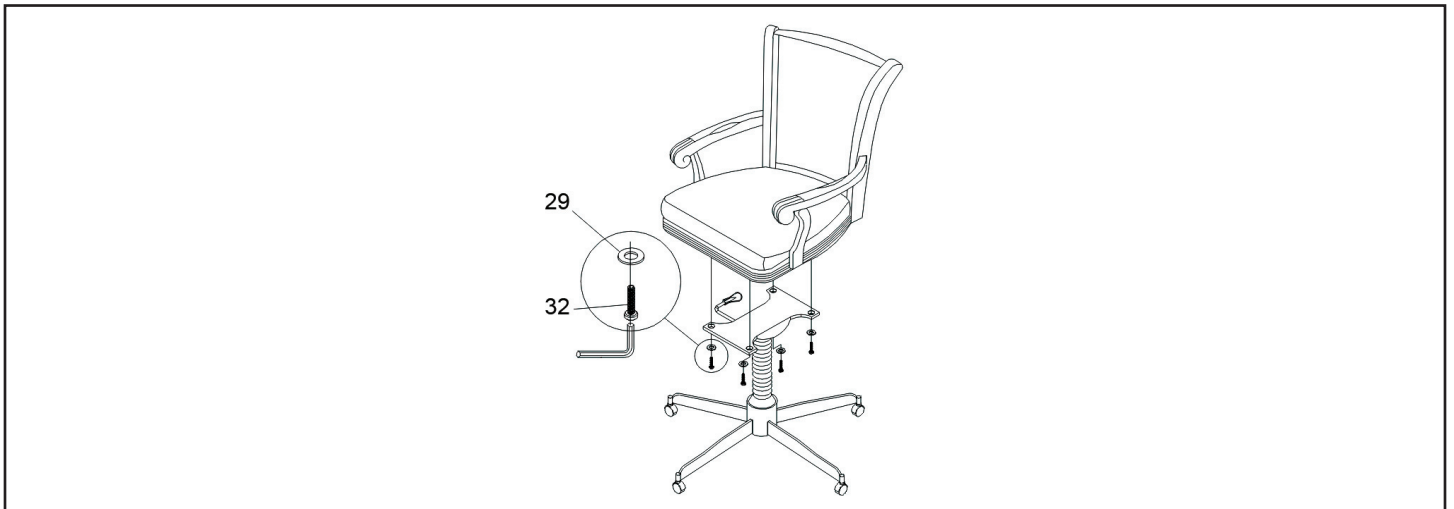


CHAIRS

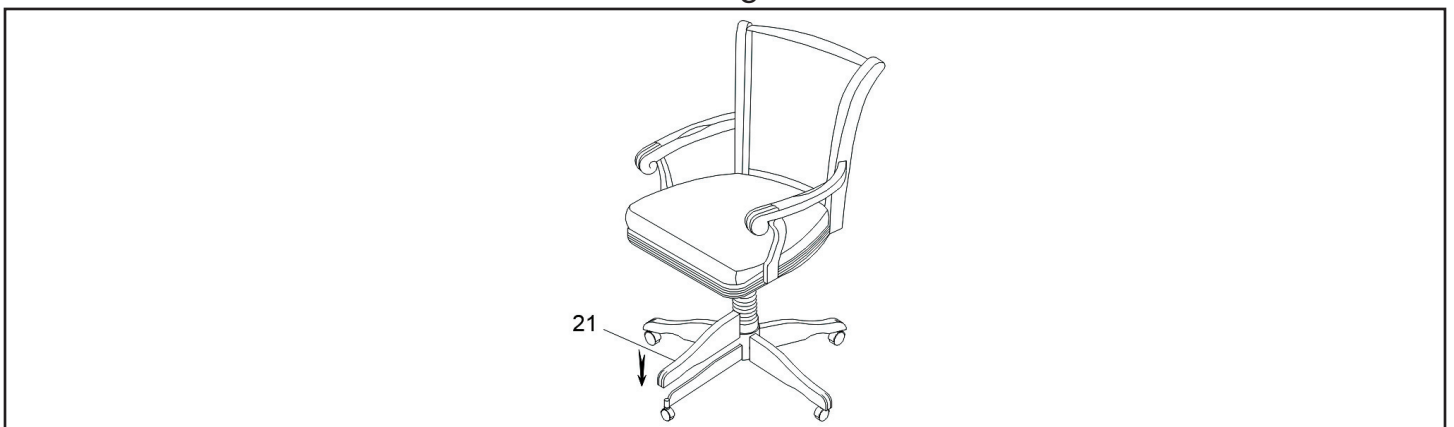
5. Attach one CASTER WHEEL #34 to each leg of the BASE #22 as shown. Attach BASE CAP #23, SEAT LIFT #25 and LIFT COVER #24 to BASE #22 and SEAT ADJUSTER #26 as shown.



6. Attach assembled SEAT to assembled BASE with 1-1/4" BOLT #32 and 19mm FLAT WASHER #29.



7. Attach one LEG COVER #21 onto each leg of the BASE.



CONGRATULATIONS!

HARVIL®

You have now assembled your Harvil Game Table. Please note the Care and Use instructions below to ensure years of trouble free use of your game table.

CARE AND USE

1. This product is intended for INDOOR use only.
2. Do NOT sit, climb or lean on the table.
3. Do NOT drag the table when moving it as this will damage the legs.