

# DISTRIBUTED BY: POLYGROUP LIMITED (MCO)

Avenida Xian Xing Hai, Centro Golden Dragon, 11 Andar M, Macau

Customer Service: (888) 919-0070 • www.polygroup.com

## PRO-SERIES ABOVE GROUND ROUND FRAME QUICK SET® SWIMMING POOL OWNER'S MANUAL



System Info Label



**WARNING:** DO NOT overfill the pool and / or allow people to lay over or sit on pool wall- DOING SO CAN CAUSE PERMANENT INJURY!  
DRAIN pool to the proper level after a heavy rain.  
**NOTE:** DO NOT attempt to assemble this pool in adverse weather conditions, windy conditions or when the temperature is below 60°F.  
**NOTE:** This is a storable pool, which should be disassembled and stored when temperatures are expected to fall below 32°F.

SAFETY INFORMATION	2
CONSUMER AWARENESS BOOKLETS	3
SITE PREPARATION	4
POOL INSTALLATION	4
DISASSEMBLY AND STORAGE	6
PARTS & ACCESSORIES	6
POOL COVER SAFETY	8

### LIMITED WARRANTY

Polygroup Limited (Macao Commercial Offshore), (hereinafter "Polygroup") warrants to the original purchaser only, the ProSeries™ Metal Frame Pool (frame and liner) against defects in material and workmanship for 90 days from the date of purchase. Original Purchaser must retain proof of such purchase in the form of an original store sales receipt and must produce such upon request by Polygroup or its designated agents. Warranty claims cannot be processed without a valid proof of purchase.

This Limited Warranty applies only to the original purchaser of the product and is limited solely to the repair or replacement of the product, to be decided in Polygroup's sole discretion. Consequential damages, including claims for loss of water, pool chemicals, damage, or labor are not covered under this Limited Warranty.

This Warranty will be declared invalid should the Purchaser modify or repair the product themselves or by unauthorized persons; use non-Polygroup parts or accessories with the product; use the product in contravention of the Manufacturers Instructions; use improper voltage; abuse the product in any way; or through accident or negligence. Normal wear-and-tear is not covered under this Warranty, nor are acts of God outside the control of Polygroup.

IN NO EVENT SHALL POLYGROUP, THEIR AUTHORIZED AGENTS, RELATED ENTITIES, OR EMPLOYEES BE LIABLE TO THE BUYER OR ANY OTHER PARTY FOR DIRECT OR CONSEQUENTIAL DAMAGES. Some states or countries, or others jurisdictions do not allow the exclusion or limitation of incidental or consequential damages, so the above limitation or exclusion may not apply to you.

Should you encounter a problem with your Polygroup Product, please do not return the product to the place or purchase. All Warranty claims must be made directly to Polygroup. Prior to contacting Customer Service, please first review the Troubleshooting Guide in the Installation Manual, or review the FAQ at www.polygroup.com . If you are still unable to correct the problem, please contact Polygroup customer service at (888) 919-0070. Have the product type and your purchase receipt ready. Our Customer Service Representative will assist you in resolving the problem. You may be asked to return all or part of the product for inspection and/or repair. Do not return any product to Polygroup without a Return Authorization number.

## 2 Read and Follow All Safety Information and Instructions. Keep for Future Reference.

Failure to follow these warnings and instructions can result in serious injury or death to user, especially children.



<b>⚠ DANGER</b>	
<b>PREVENT DROWNING</b> Watch children at all times. Observe all Safety Rules.	<b>NO DIVING! NO JUMPING!</b> Shallow Water - You can be permanently injured.

<b>⚠ WARNING</b>	
<b>DO NOT SIT ON OR LAY OVER POOL WALL</b> You can be permanently injured	<b>AVOID ENTRAPMENT</b> Stay away from suction fittings - You may drown

- Children, especially children younger than five years, are at high risk of drowning. Drowning occurs silently and quickly and can occur in as little as 2 in. (5 cm) of water.
- Keep children in your direct sight, stay close, and actively supervise them when they are in or near this pool and when you are filling and emptying this pool.
- When searching for a missing child, check the pool first, even if the child is thought to be in the house.
- Very Important: Swimming pool barriers, which restrict access to the pool by small children, may be required by law. A barrier is necessary to provide protection against potential drowning and near drowning. Barriers are not a substitute for constant supervision of children. Check state or local laws and codes before setting up pool.
- The use of artificial pool lighting is at the discretion of the pool owner. Lighting, when installed, should be in accordance with Article 680 of the National Electrical Code (NEC) or its latest approved edition and in consultation with a licensed electrical professional.
- During nighttime pool use, artificial lighting shall be used to illuminate all safety signs, ladders, steps, deck surfaces and walks.
- The floor of the pool shall be visible at all times from the outside perimeter of the pool.
- Local building codes may require obtaining a building or electrical permit. Installer shall follow regulations on setback, barriers, devices and other conditions.
- Post a list of emergency telephone numbers such as the nearest available police, fire, ambulance and/or rescue unit. These numbers are to be kept near the telephone, which is closest to the pool.
- Toys, chairs, tables or similar objects that a young child could climb shall be at least four feet (4') [121.92 cm] from the pool. The pump filter system shall be positioned so as to prevent it being used as a means of access to the pool by young children. Do not leave toys inside pool when finished using, since toys and similar items might attract a child to the pool.
- Basic lifesaving equipment, including one of the following should be on hand at all times:
  - \* A light, strong, rigid pole (shepherds crook) not less than twelve feet (12') [365.76 cm] long.
  - \* A minimum one-fourth inch (1/4") [6.35 mm] diameter rope as long as one and one half (1-1/2) times the maximum width of the pool or fifty feet (50') [15.24 meters], whichever is less, which has been firmly attached to a Coast Guard-approved ring buoy having an outside diameter of approximately fifteen inches (15") [38.1 cm], or similarly approved flotation device.
- Entrapment Avoidance: There shall be no protrusions or other obstruction in the swimming area, which may cause entrapment or entanglement of the user. If a suction outlet cover is missing or broken, do not use the pool. Suction can cause body part entrapment, hair and jewelry entanglement, evisceration, or drowning. Repair or replace the suction outlet cover before allowing the pool to be used.

13. The pool is subject to wear and deterioration. If not maintained properly, certain types of excessive or accelerated deterioration can lead to failure of the pool structure that might release large quantities of water that could cause bodily harm and property damage.
14. Above ground / onground residential swimming pools are for swimming and wading only. No diving boards, slides or other equipment are to be added to an above ground / onground pool that in any way indicates that an above ground / onground pool may be used or intended for diving or sliding purposes.
15. Never allow horseplay, diving or jumping into or around the pool. Serious injury, paralysis or death, could result when this rule is disregarded. DO NOT ALLOW anyone to swim alone without supervision.
16. Safety signs shall comply with requirements of ANSI-Z535 and to use signal wording.
17. The pool is to be assembled by an adult; care should be taken in the unpacking and assembly of the pool, this pool may contain accessible potentially hazardous sharp edges or sharp points that are a necessary part of the function of the pool.
18. Become certified in cardiopulmonary resuscitation (CPR). In the event of an emergency, immediate use of CPR can make a lifesaving difference.
19. Keep all electrical lines, radios, speakers and other electrical appliances away from the pool.
20. Do not place pool near or under overhead electrical lines.
21. Remove pool ladders before leaving the pool. Children as young as 2 years have climbed up ladders and into pools and drowned.

**NOTICE:** CUSTOMERS THAT PURCHASE POOLS MAY BE REQUIRED BY LOCAL OR STATE LAW TO INCUR ADDITIONAL EXPENSES WHEN INSTALLING A POOL, IN ORDER TO COMPLY WITH STATE OR LOCAL LAWS REGARDING FENCING AND OTHER SAFETY REQUIREMENTS. CUSTOMERS SHOULD CONTACT THEIR LOCAL BUILDING CODE ENFORCEMENT OFFICE FOR FURTHER DETAILS.

### CONSUMER AWARENESS BOOKLETS

Contact: U.S. Consumer Product Safety Commission at [www.CPSC.gov/cpsc/pub/pubs/pool/pdf](http://www.CPSC.gov/cpsc/pub/pubs/pool/pdf), Pub. #362 "Safety Barrier Guidelines for Home Pools".

Contact: ASSOCIATION OF POOL & SPA PROFESSIONALS (formerly NSPI) at - [www.apsp.org/164/index.aspx](http://www.apsp.org/164/index.aspx)

These titles are now available: "The Sensible Way To Enjoy Your Aboveground / Inground Swimming Pool", "Children Aren't Waterproof", "Pool and Spa Emergency Procedures For Infants", "Layers of Protection", and the "ANSI /NSPI-8 Model Barrier Code for Residential Swimming Pools, Spas, and Hot Tubs".

### DANGER:

Competent supervision and knowledge of the safety requirements is the only way to prevent drowning or permanent injury in the use of this product!  
Never leave young children unattended.

### DANGER: POOL SET-UP

Do not attempt to assemble this pool in adverse weather conditions, such as in high winds, strong gusts or when the temperature is below 60°F.

## FRAME POOL SETUP INSTRUCTION SHEET SITE PREPARATION

### WARNING - VERY IMPORTANT! SITE MUST BE LEVEL, STABLE, COMPACTED SOIL.

- The pool must be assembled on a smooth and level site of firm soil that is free of stones, gravel, sticks, blacktop or other oil base compounds. Do not install pool on a wooden deck or any type of wooden surface. You can not use sand and/or uncompacted soil to provide a level surface for this pool; it will only wash out.
- **FAILURE TO FOLLOW THE INSTRUCTIONS BELOW WILL CAUSE POOL TO COLLAPSE AND WILL VOID THE WARRANTY!**

1. Select a level area, and completely remove all debris, twigs, stones, etc. DO NOT select an area under overhead electrical lines, trees or within 15 feet of a house, building, etc. The area should also be at least 10 feet away, and no more than 21 feet away, from a 110 volt AC outlet, protected by a Ground Fault Circuit Interrupter.
2. Contact your local utilities, checking that no underground cables, telephone lines, gas lines, etc. run beneath the area you have selected.

## POOL INSTALLATION

**WARNING: DO NOT** overfill the pool and / or allow people to lay over or sit on pool wall doing so can cause permanent injury. **DRAIN** pool to the proper level after a heavy rain.

**TIP:** It will be much easier to install your pool if you unfold it and let it lay in direct sunlight for about 2 hours prior to installation. This will help to insure a wrinkle-free fit because the pool material will be more pliable allowing it to form into shape during installation.

1. Carefully unfold the Quick Set® pool and inspect seams for manufacturing defects. Lay the pool out flat on the ground, positioning the power filter mounting area of the pool wall so that it is 10 to 21 feet from the electrical outlet you plan to use for the pool pump. You should have at least three people to assist with the assembly of this pool.
2. Locate the metal pipe and Tee Fittings for the frame section of the pool. The shorter pipe sections with the larger diameter and the pair of holes at both ends are the Horizontal Beams (91). The longer pipe sections with the smaller diameter and the Spring Pin (95) at one end are the Vertical Legs (94). Take the Horizontal Beams (91) and insert them into the pockets stitched along the top edge of the pool wall. Rotate it in the pocket so that the holes are on the top and bottom of the pipe protruding from each end of the pockets. Take one end of the pipe and insert it into a Tee Fitting aligning the holes with the holes in the Horizontal Beam. Do NOT install any of the Pins (93) at this time. Continue around the pool in either direction installing all of the Tee Fittings onto the Horizontal Beams. See Fig 1.
3. When you get to the last connection, install the last Tee Fitting on the end of one of the beams. Lift up on both of the last two Beams in order to get them to insert into the Tee Fitting. Angle them towards each other and guide the Beam into the Fitting as you lower them both down together. See Fig. 2. This step may require two people. Now, begin inserting the Pins (93) / Grommets (97) down through the top of the Tee Fittings until the Pin snaps into place on the lower side of the Fitting as shown in Fig. 3.

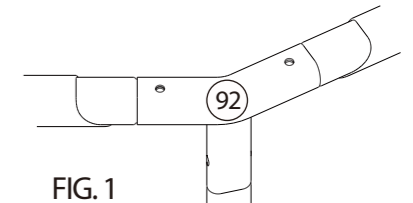


FIG. 1

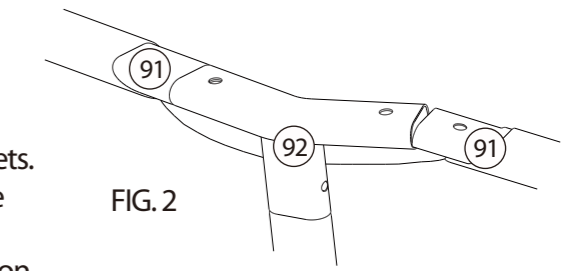


FIG. 2

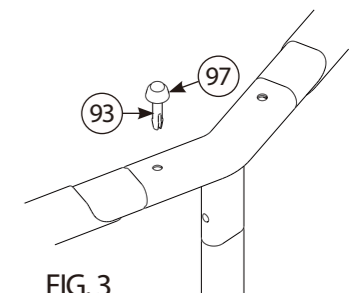
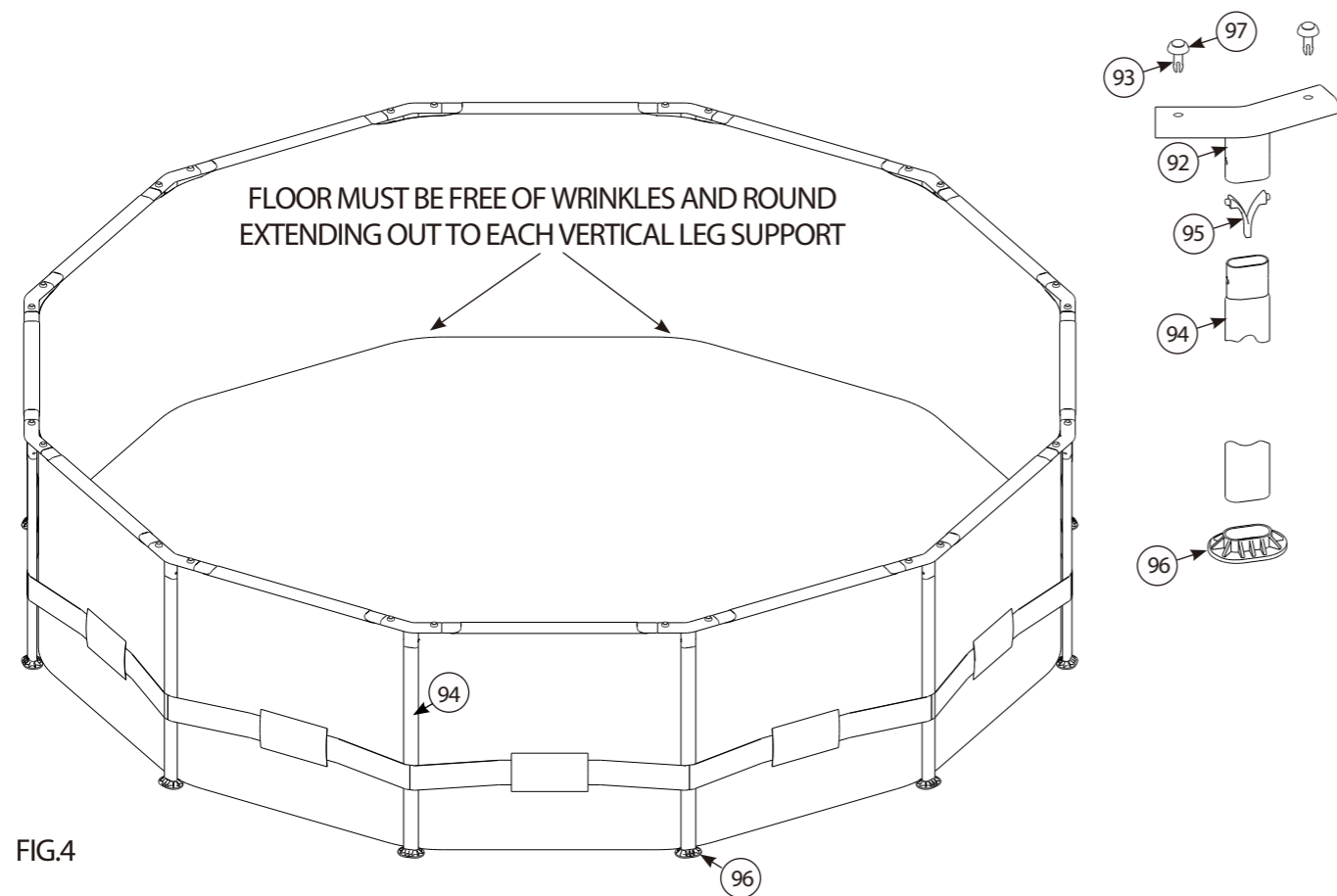


FIG. 3

4. Once the top frame is assembled, locate the Vertical Legs (94). The Vertical Leg sections will have a Spring Pin (95) pre-installed at the top end. First, insert the leg down through the belt that runs around the middle of the pool, see Fig. 4. Now, to connect them into the top frame, push the buttons in as you insert the Leg up into the Tee Fitting. Look through the hole in the Fitting as you insert and rotate the pipe until the buttons align with the holes and pop out, locking the leg in place. Finally, take one of the Leg Caps (96) and insert the bottom of the Vertical Leg into it until it stops.
5. Go around and check all of the Fittings, Legs, and Beams for proper fit, making sure that all the Pins have been securely fastened in all of the holes. Grab the Vertical Legs at the bottom and gently pull them out making sure that they remain vertical and perpendicular to the top ring.
6. Make sure the drain fitting is plugged securely and the cap is in place. Start filling the pool with water.  
NOTE: AFTER ABOUT 1-INCH OF WATER IS ON THE BOTTOM, STOP FILLING AND SMOOTH WRINKLES OUT OF THE BOTTOM OF THE POOL MAKING SURE THE POOL'S BOTTOM IS FLAT AND ROUND EQUALLY IN ALL DIRECTIONS. SEE FIG. 4 BELOW
7. NOTE: IF MORE THAN 1-2 INCHES OF WATER COLLECTS ON ANY ONE SIDE BEFORE THE POOL STARTS FILLING IN THE CENTER, THE POOL IS NOT LEVEL ENOUGH, AND MUST BE CORRECTED, SEE "SITE PREPARATION", PAGE 4. NOTE: THE WEIGHT OF THE WATER WILL PREVENT ANY ADJUSTMENT AFTER THIS POINT.
8. Continue to check the Vertical Legs and pull them out at the bottom if necessary, making sure they remain vertical and perpendicular to the top ring.
9. Following the instructions under "Power Filter Installation" in the "Swimming Pool Filter System" owner's manual, begin installing your power filter unit according to its manual.



Should you encounter any problems, contact the Customer Service at (888) 919-0070 from 8 AM to 5 PM Mon. thru Fri. EST. Extended operating days and hours during peak season requirements.

## 6 DISASSEMBLY AND STORAGE

1. GENERAL INFORMATION: Pool must be stored if temperatures are expected to fall below 32°F.
- A. All parts should be cleaned with a mild soap and lukewarm water only - DO NOT use detergent or hot water.
  - B. Make sure all parts are dry before storing to help prevent mildew from forming.
  - C. Store all parts in a dry heated area where temperatures do not go below 32° F or above 125° F.
  - D. Failure to follow the proper storage instructions could cause damage to pool parts and void warranty.
  - E. YOU MUST FOLLOW THE ASSEMBLY INSTRUCTIONS TO REASSEMBLE YOUR POOL NEXT SEASON. Pool site must be cleared and leveled again before setting up your pool.
2. QUICK-SET® POOL:
- A. To drain the pool, locate the drain plug on the outside of the pool wall and remove the drain cap. A standard garden hose will thread onto the drain fitting. Extend the hose to the area where the water is to be drained. When you have placed the garden hose where desired, the drain plug on the inside of the pool can be opened.
  - B. Once you have drained as much water as possible out of the pool, using the hose connected to the drain fitting, open the air valve and deflate the top ring. Then, carefully push the sides of the pool wall down to allow remaining water to run out.
  - C. Remove any remaining water as you wash and completely dry pool using a soft cotton cloth. Push the drain plug into the fitting and replace the cap.
  - D. Frame Pools: If your pool has metal frame work, disassemble those pieces by depressing the plastic buttons sliding those pieces apart or by removing the plastic pins holding them together again sliding those pieces apart, clean them and wipe them dry. If in doubt of proper disassembly refer to the pools set-up sheet and reverse those steps. Place them all together in a safe storage place for reassembly next season. Order replacement parts for any damaged, broken, or worn parts
  - E. Solar blankets, leaf covers, ladders, etc., should be cleaned and dried before storing

REPLACEMENT PARTS					
KEY	DESCRIPTION	ID NUMBER	QTY	LBS	COST
<b>QUICK-SET POOL</b>					
30	PRO-SERIES QUICK-SET POOL	CALL PARTS DEPT. FOR REPLACEMENT			
<b>GFP ACCESSORIES</b>					
*	PRO-SERIES LADDER w/BARRIER (36" POOL)	097-020013	1	21	50.00
*	PRO-SERIES LADDER w/BARRIER (42" POOL)	097-020014	1	24	55.00
*	PRO-SERIES LADDER w/BARRIER (48" POOL)	097-020015	1	28	60.00
*	PRO-SERIES LADDER w/BARRIER (52" POOL)	097-020016	1	33	75.00
*	DUAL MAINTENANCE KIT (LEAF NET & VACUUM)	096-050024	1	3	15.00
80	LEAF COVER (NOT A SAFETY COVER)	CALL PARTS DEPT. FOR REPLACEMENT			
81	SOLAR BLANKET (NOT A SAFETY COVER)	CALL PARTS DEPT. FOR REPLACEMENT			
82	SOLAR COVER (NOT A SAFETY COVER)	CALL PARTS DEPT. FOR REPLACEMENT			

Should you encounter any problems, contact the Customer Service at (888) 919-0070 from 8 AM to 5 PM Mon. thru Fri. EST. Extended operating days and hours during peak season requirements.

PRO-SERIES ROUND FRAME POOL		CALL PARTS DEPT. FOR REPLACEMENT PARTS or see ORDER SHEET for ordering instruction and shipping information											
		(91) HORIZONTAL BEAM				(94) VERTICAL LEG				(92) T-FITTING			
POOL MODEL	POOL SIZE	PART NO.	QTY	WGT (lbs)	COST EA.	PART NO.	QTY	WGT. (lbs)	COST EA.	PART NO.	QTY	WGT. (lbs)	COST EA.
PS20-0827	8' x 27"	090-380092	8	1-1/2	3.00	090-380093	8	1-1/4	3.00	090-380099	8	1/2	3.00
PS20-1030	10' x 30"	090-380092	10	1-1/2	3.00	090-380094	10	1-1/4	3.00	090-380100	10	1/2	3.00
PS20-1230	12' x 30"	090-380092	12	1-1/2	3.00	090-380094	12	1-1/4	3.00	090-380101	12	1/2	3.00
PS20-1236	12' x 36"	090-380092	12	1-1/2	3.00	090-380095	12	1-1/4	4.00	090-380101	12	1/2	3.00
PS20-1336	13' x 36"	090-380092	13	1-1/2	4.00	090-380095	13	1-1/4	4.00	090-380102	13	1/2	3.00
PS20-1442	14' x 42"	090-380092	14	1-1/2	4.00	090-380096	14	1-1/4	5.00	090-380103	14	1/2	3.00
PS20-1536	15' x 36"	090-380092	15	1-1/2	5.00	090-380095	15	1-1/4	5.00	090-380104	15	1/2	3.00
PS20-1542	15' x 42"	090-380092	15	1-1/2	5.00	090-380096	15	1-1/4	5.00	090-380104	15	1/2	3.00
PS20-1548	15' x 48"	090-380092	15	1-1/2	5.00	090-380097	15	1-1/4	6.00	090-380104	15	1/2	3.00
PS20-1642	16' x 42"	090-380092	16	1-1/2	5.00	090-380096	16	1-1/4	5.00	090-380105	16	1/2	3.00
PS20-1648	16' x 48"	090-380092	16	1-1/2	5.00	090-380097	16	1-1/4	6.00	090-380105	16	1/2	3.00
PS20-1652	16' x 52"	090-380092	16	1-1/2	5.00	090-380098	16	1-1/4	6.00	090-380105	16	1/2	3.00
PS20-1842	18' x 42"	090-380092	18	1-1/2	5.00	090-380096	18	1-1/4	5.00	090-380106	18	1/2	3.00
PS20-1848	18' x 48"	090-380092	18	1-1/2	5.00	090-380097	18	1-1/4	6.00	090-380106	18	1/2	3.00
PW20-1848	18' x 48"	090-380128	18	1-1/2	5.00	090-380129	18	1-1/4	6.00	090-380130	18	1/2	3.00
PS20-1852	18' x 52"	090-380092	18	1-1/2	5.00	090-380098	18	1-1/4	6.00	090-380106	18	1/2	3.00
PW20-1852	18' x 52"	090-380128	18	1-1/2	5.00	090-380132	18	1-1/4	6.00	090-380130	18	1/2	3.00
PS20-1952	19' x 52"	090-380092	19	1-12	5.00	090-380098	19	1-1/4	6.00	090-380107	19	1/2	3.00
PS20-2048	20' x 48"	090-380092	20	1-1/2	6.00	090-380097	20	1-1/4	6.00	090-380108	20	1/2	3.00
PS20-2252	22' x 52"	090-380092	22	1-1/2	6.00	090-380098	22	1-1/4	6.00	090-380127	22	1/2	3.00
PS20-2448	24' x 48"	090-380092	24	1-1/2	6.00	090-380097	24	1-1/4	6.00	090-380109	24	1/2	3.00
PS20-2452	24' x 52"	090-380092	24	1-1/2	6.00	090-380098	24	1-1/4	6.00	090-380109	24	1/2	3.00
		(96) LEG CAP				(93) PIN & (97) Grommet (w/2 extra)				(95) V-SHAPE SPRING PIN (w/ 1 extra)			
POOL MODEL	POOL SIZE	PART NO.	QTY	WGT (lbs)	COST EA.	PART NO.	QTY	WGT. (lbs)	COST EA.	PART NO.	QTY	WGT. (lbs)	COST EA.
PS20-0827	8' x 27"	097-080031	8	1/4	0.50	097-080032	18	1/4	0.35	097-080033	9	1/4	0.25
PS20-1030	10' x 30"	097-080031	10	1/4	0.50	097-080032	22	1/4	0.35	097-080033	11	1/4	0.25
PS20-1230	12' x 30"	097-080031	12	1/4	0.50	097-080032	26	1/4	0.35	097-080033	13	1/4	0.25
PS20-1236	12' x 36"	097-080031	12	1/4	0.50	097-080032	26	1/4	0.35	097-080033	13	1/4	0.25
PS20-1336	13' x 36"	097-080031	13	1/4	0.50	097-080032	28	1/4	.035	097-080033	14	1/4	0.25
PS20-1442	14' x 42"	097-080031	14	1/4	0.50	097-080032	30	1/4	0.35	097-080033	15	1/4	0.25
PS20-1536	15' x 36"	097-080031	15	1/4	0.50	097-080032	32	1/4	0.35	097-080033	16	1/4	0.25
PS20-1542	15' x 42"	097-080031	15	1/4	0.50	097-080032	32	1/4	0.35	097-080033	16	1/4	0.25
PS20-1548	15' x 48"	097-080031	15	1/4	0.50	097-080032	32	1/4	0.35	097-080033	16	1/4	0.25
PS20-1642	16' x 42"	097-080031	16	1/4	0.50	097-080032	34	1/4	0.35	097-080033	17	1/4	0.25
PS20-1648	16' x 48"	097-080031	16	1/4	0.50	097-080032	34	1/4	0.35	097-080033	17	1/4	0.25
PS20-1652	16' x 52"	097-080031	16	1/4	0.50	097-080032	34	1/4	0.35	097-080033	17	1/4	0.25
PS20-1842	18' x 42"	097-080031	18	1/4	0.50	097-080032	38	1/4	0.35	097-080033	19	1/4	0.25
PS20-1848	18' x 48"	097-080031	18	1/4	0.50	097-080032	38	1/4	0.35	097-080033	19	1/4	0.25
PW20-1848	18' x 48"	090-380031	18	1/4	0.50	090-380135	38	1/4	0.35	090-380136	19	1/4	0.25
PS20-1852	18' x 52"	097-080031	18	1/4	0.50	097-080032	38	1/4	0.35	097-080033	19	1/4	0.25
PW20-1852	18' x 52"	090-380031	18	1/4	0.50	090-380135	38	1/4	0.35	090-380136	19	1/4	0.25
PS20-1952	19' x 52"	097-080031	19	1/4	0.50	097-080032	40	1/4	0.35	097-080033	20	1/4	0.25
PS20-2048	20' x 48"	097-080031	20	1/4	0.50	097-080032	42	1/4	0.35	097-080033	21	1/4	0.25
PS20-2252	22' x 52"	097-080031	22	1/4	0.50	097-080032	46	1/4	0.35	097-080033	23	1/4	0.25
PS20-2448	24' x 48"	097-080031	24	1/4	0.50	097-080032	50	1/4	0.35	097-080033	25	1/4	0.25
PS20-2452	24' x 52"	097-080031	24	1/4	0.50	097-080032	50	1/4	0.35	097-080033	25	1/4	0.25

**POOL COVER SAFETY**

IF YOU ARE GOING TO USE A POOL COVER, SOLAR COVER OR SOLAR BLANKET, PLEASE READ THIS INFORMATION.

**POOL COVER WARNING  
SOLAR COVER WARNING**

**⚠ WARNING**

**AVOID DROWNING RISK**

STAY OFF COVER - WILL NOT SUPPORT WEIGHT.  
KEEP CHILDREN AWAY. CHILDREN OR OBJECTS CAN NOT BE SEEN UNDER COVER.  
REMOVE STANDING WATER - CHILD CAN DROWN ON TOP OF COVER.  
REMOVE COVER COMPLETELY BEFORE ENTRY OF BATHERS - ENTRAPMENT POSSIBLE.  
NON-SECURED OR IMPROPERLY SECURED COVERS ARE A HAZARD.  
FAILURE TO FOLLOW ALL INSTRUCTIONS MAY RESULT IN INJURY OR DROWNING.  
THIS IS NOT A SAFETY COVER.  
TYPE OC COVER CLASSIFICATION.  
INSTALL COVER WITH LABELS FACING UP.  
USE DRAWSTRING TO SECURE COVER TO POOL.  
THIS COVER MEETS REQUIREMENTS DESCRIBED IN SPECIFICATION F-1346 (ASTM).

**SOLAR BLANKET WARNING**

**⚠ WARNING**

**AVOID DROWNING RISK**

STAY OFF COVER - WILL NOT SUPPORT WEIGHT.  
KEEP CHILDREN AWAY. CHILDREN OR OBJECTS CAN NOT BE SEEN UNDER COVER.  
REMOVE STANDING WATER - CHILD CAN DROWN ON TOP OF COVER.  
REMOVE COVER COMPLETELY BEFORE ENTRY OF BATHERS - ENTRAPMENT POSSIBLE.  
NON-SECURED OR IMPROPERLY SECURED COVERS ARE A HAZARD.  
FAILURE TO FOLLOW ALL INSTRUCTIONS MAY RESULT IN INJURY OR DROWNING.  
THIS IS NOT A SAFETY COVER.  
TYPE OC COVER CLASSIFICATION.  
INSTALL COVER WITH LABELS FACING UP.  
LAY COVER ON TOP SURFACE OF WATER.  
THIS COVER MEETS REQUIREMENTS DESCRIBED IN SPECIFICATION F-1346 (ASTM).

**VERY IMPORTANT**  
DO NOT USE A POOL COVER, SOLAR COVER OR SOLAR BLANKET ON THIS POOL IF IT DOES NOT HAVE THIS TYPE OF WARNING LABEL ON THE COVER.

**DANGER:**  
Competent supervision and knowledge of the safety requirements is the only way to prevent drowning or permanent injury in the use of this product!  
Never leave young children unattended.