

# Pool Breakdown

## Riviera 15'x30' Oval 54"

### NB1297

<p><b><u>FEATURES:</u></b>  Oval  Size: 15X30'  Depth: 54"  60 Year Warranty</p>	<p><b><u>STRUCTURE COMPOSITION:</u></b>  Resin top ledges  Steel uprights  Resin bottom rails  Resin stabilizers  Resin bottom plates  Resin top plates</p>
--	---

	Qty	Carton #	Carton Content Description
<input type="checkbox"/>	1	134153041350000	RIVIERA - 1530 RESIN KIT CHOC BROWN
<input type="checkbox"/>	1	102153043350004	RIVIERA - 1530 UPRIGHT MOCHA METALLIC 54"
<input type="checkbox"/>	1	101153041350000	RIVIERA - 1530 TOP RAIL – 8" CHOC BROWN
<input type="checkbox"/>	1	140153000420000	RIVIERA - 1530 PRESSURE PLATES (42")
<input type="checkbox"/>	1	141153000420000	RIVIERA - 1530 STRAPS (42")
<input type="checkbox"/>	1	143153043423504	RIVIERA - 1530 METAL UPR MOCHA METALLIC 54" (42")
<input type="checkbox"/>	1	145000043423500	RIVIERA - UN CHAN & GUS MOCHA METALLIC (42") ALL SIZE 4 PCS
<input type="checkbox"/>	1	146000043423500	RIVIERA - UN CHAN & GUS MOCHA METALLIC (42") ALL SIZE 4 PCS
<input type="checkbox"/>	1	WSNT54S-WMN1530-0932	15X30' WALL - SONATA 54" STL WM

**Carton Breakdown**  
**Riviera 15'x30' Oval 54"**  
**NB1297**

Key	Qty	Item #	Mfg Part #	Part Description	
<b>CARTON # 134153041350000</b>					
<input type="checkbox"/>	A	8	NBP6020	1071507160000	ROUND STABILIZER 15' SAND UNIVERSAL
<input type="checkbox"/>	B	8	NBP6016	1081541000000	BOTTOM RAIL 15' REG CHOC BROWN L56"
<input type="checkbox"/>	C	6	NBP6021	10741000042	STR SIDE STABILIZER CHOC BROWN 37-1/2"
<input type="checkbox"/>	D	4	NBP6022	1071507160010	CORNER STABILIZER 15' SAND UNIVERSAL
<input type="checkbox"/>	E	6	NBP6017	10841000042	BOTTOM RAIL STR SIDE CHOC BROWN 37"
<input type="checkbox"/>	F	2	NBP6018	1081541000020	BOTTOM RAIL 15' CORNER CHOC BROWN RGT L54"
<input type="checkbox"/>	F	2	NBP6019	1081541000030	BOTTOM RAIL 15' CORNER CHOC BROWN LEFT L54"
<input type="checkbox"/>	K	18	NBP6002	10341350000	LEDGE COVER 8" OUTER CHOC BROWN
<input type="checkbox"/>	K	18	NBP6003	10341350010	LEDGE COVER 8" INNER CHOC BROWN
<input type="checkbox"/>	L	18	NBP6004	10341350030	LEDGE COVER 8" PLATE CHOC BROWN
<input type="checkbox"/>	M	18	NBP6005	11141350000	TOP PLATE CHOC BROWN
<input type="checkbox"/>	N	10	NBP6006	11241350000	BOTTOM PLATE CHOC BROWN
<input type="checkbox"/>	X	8	NBP6010	10441000000	BOTTOM CONNECTOR STR SIDE CHOC BROWN
<input type="checkbox"/>	---	1	NBP6019	10511530350	HARDWARE 1530
<input type="checkbox"/>	O	141	NBP6019	2PPS121	PAN PHIL SS #12, 1" TYPE A
<input type="checkbox"/>	---	1	----	36875	INSTALLATION DVD

## Carton Breakdown

# Riviera 15'x30' Oval 54''

## NB1297

Key	Qty	Item #	Mfg Part #	Part Description	
<b>UPRIGHT CARTON # 102153043350004</b>					
<input type="checkbox"/>	I	10	NBP6000	10243350004	UPRIGHT 6.5" MOCHA METALLIC 53-1/64"
<b>TOP RAIL CARTON # 101153041350000</b>					
<input type="checkbox"/>	J	12	NBP6001	10141350000	TOP LEDGE 8" CHOC RESIN CMN CVD 56-3/4"
<input type="checkbox"/>	P	6	NBP6023	10141350042	TOP LEDGE 8" CHOC RESIN STRAIGHT 43"
<b>CARTON # 140153000420000</b>					
<input type="checkbox"/>	Q	8	NBP3164	16549	PRESSURE PLATE OVAL (42" SECT)
<b>CARTON # 141153000420000</b>					
<input type="checkbox"/>	R	8	NBP3162	16539	STRAP END CHANNEL 2" TALL X 52-3/8"
<input type="checkbox"/>	T	12	NBP3166	16725	ON-GROUND STRAP SECTION 40.683" (FOR 15')
<input type="checkbox"/>	---	8	NBP3168	22726	OVAL CHANNEL END CAP
<b>CARTON # 143153043423504</b>					
<input type="checkbox"/>	V	8	NBP6011	38561	WRAP UR OVAL MOCHA METALLIC 52.562"
<input type="checkbox"/>	---	1	NBP6021	22113	HARDWARE 1221/1224 STEEL STRUCTURE

## Carton Breakdown

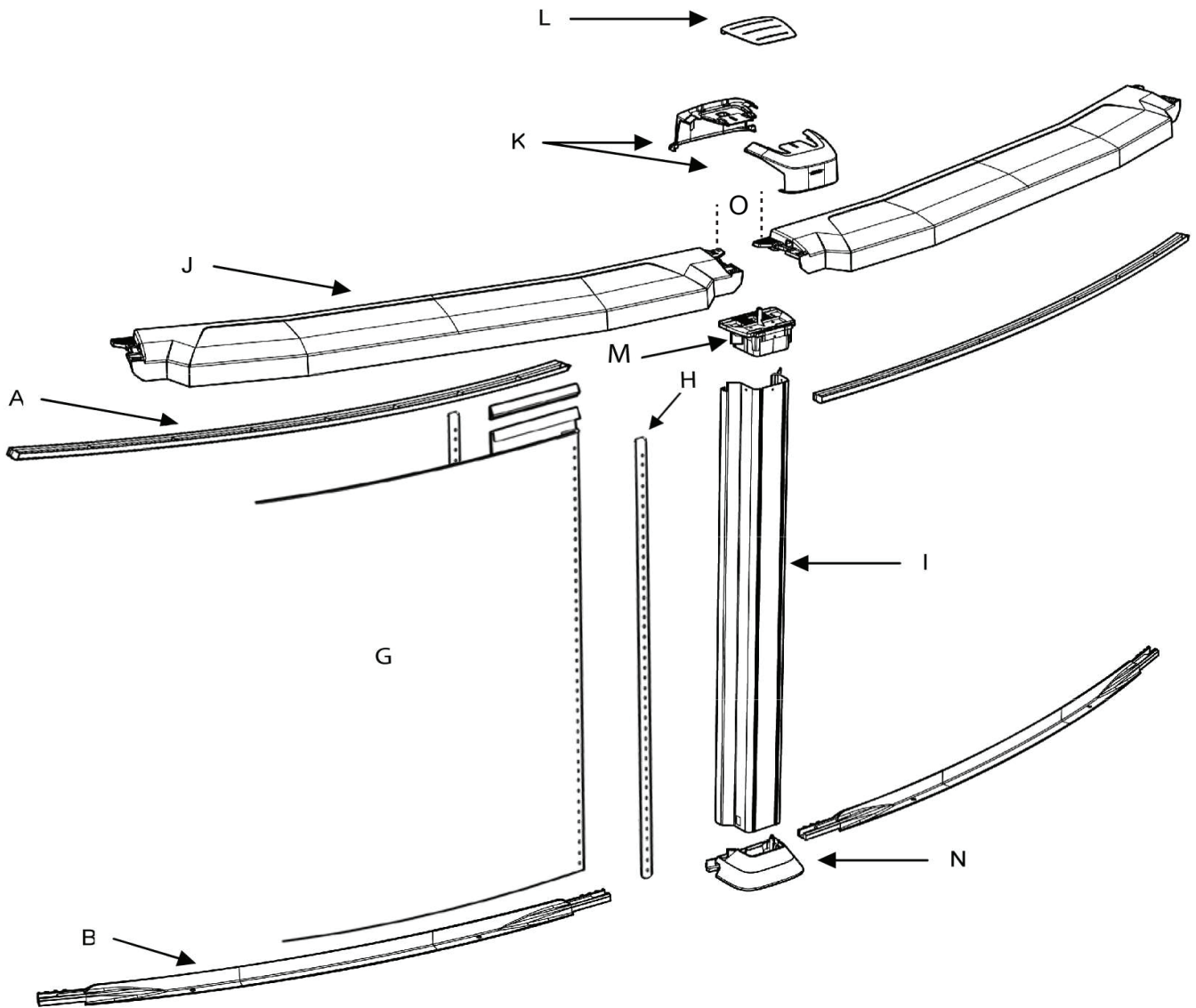
# Riviera 15'x30' Oval 54"

## NB1297

Key	Qty	Item #	Mfg Part #	Part Description	
<b>CARTON # 145000043423500</b>					
<input type="checkbox"/>	W	4	NBP6015	38562	YARDMORE GUSSET LEFT MOCHA METALLIC
<input type="checkbox"/>	W	4	NBP6014	38563	YARDMORE GUSSET RIGHT MOCHA METALLIC
<input type="checkbox"/>	S	4	NBP3161	15933	UNDER CHANNEL YARDMORE 45-9/16"
<input type="checkbox"/>	---	1	NBP3165	16720	HARDWARE GUSSETS 4 PACK
<b>CARTON # 146000043423500</b>					
<input type="checkbox"/>	W	4	NBP6015	38562	YARDMORE GUSSET LEFT MOCHA METALLIC
<input type="checkbox"/>	W	4	NBP6014	38563	YARDMORE GUSSET RIGHT MOCHA METALLIC
<input type="checkbox"/>	S	4	NBP3161	15933	UNDER CHANNEL YARDMORE 45-9/16"
<input type="checkbox"/>	---	1	NBP3165	16720	HARDWARE GUSSETS 4 PACK
<b>WALL CARTON # WSNT54S-WMN1530-0932</b>					
<input type="checkbox"/>	G	1	PC1532	WMSP54S	MYSTIC PALM 54 STL 1530
<input type="checkbox"/>	H	2	NBP6007	11825	WALL BAR DOUBLE FINISHED/54" (51")

# Riviera 15'x30' Oval 54"

## NB1297

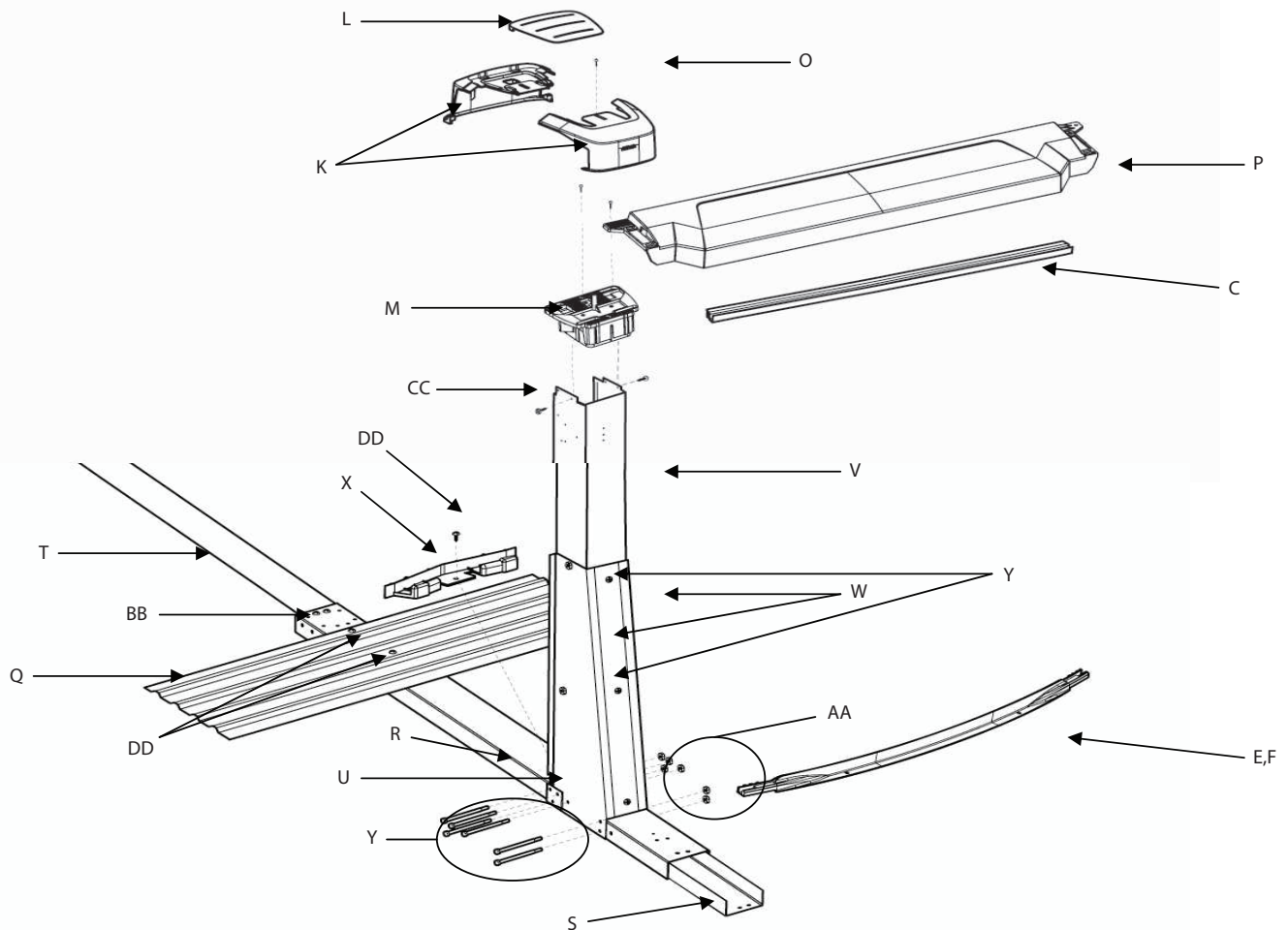


Key #	Part Description	Item #
A	Stabilizer - Rnd. Sect.	NBP6020
B	Bot. Rail - Rnd. Sect.	NBP6016
G	Steel Wall	PC1532
H	Steel Bar	NBP6007
I	Upright 54"	NBP6000
J	Top Ledge	NBP6001
K	Ledge Cover - Front	NBP6002

Key #	Part Description	Item #
K	Ledge Cover - Back	NBP6003
L	Ledge Cover Plate	NBP6004
M	Top Plate	NPB6005
N	Bottom Plate	NBP6006
---	Hardware	NBP6019
O	Pan SS Screws	NBP6019

# Riviera 15'x30' Oval 54"

## NB1297



Key #	Part Description	Item #
C	Stabilizer - Strt. Side	NBP6021
D	Stabilizer - Transition	NBP6022
E	Bottom Rail - Strt. Side	NBP6017
F	Bottom Rail - Trans. R	NBP6018
F	Bottom Rail - Trans. L	NBP6019
K	Ledge Cover - Front	NBP6002
K	Ledge Cover - Back	NBP6003
L	Ledge Cover Plate	NBP6004
M	Top Plate	NBP6005
P	Ledge Cover - Straight	NBP6023
Q	Pressure Plate	NBP3164
R	Strap End Channel	NBP3162
S	Under Channel	NBP3161
T	Strap	NBP3166

Key #	Part Description	Item #
U	Washer - 3 Holes	NBP3112
V	Upright 54" - Str. Side	NBP6011
W	Right Gusset	NBP6014
W	Left Gusset	NBP6015
X	Bottom Plate - Str. Side	NBP6010
Y	Bolt - 5" x 5/16	NBP6019
AA	Nut - 5/16	NBP6019
BB	Screw - 1/2" x 5/16	NBP6019
CC	Screw - 1/2" #10	NBP6019
DD	SS Screw 12 x 3/4"	NBP6019
O	Pan SS Screws	NBP6019
---	Hrdwr. - Stl. Structure	NBP6021
---	Hrdwr. - Gusset 4 Pack	NBP3165