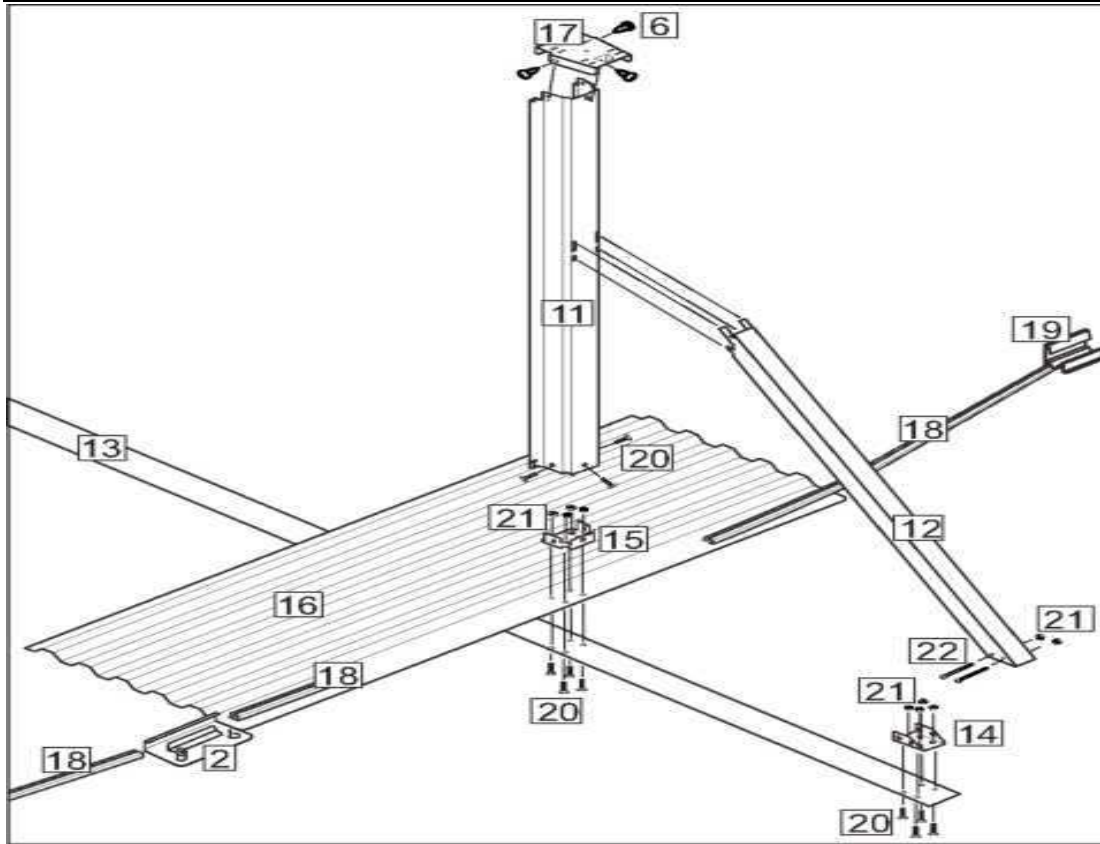




# Pretium - Sand Texture Finish - Channel Lok II Oval - 52" Height



## OVAL COMPONENTS - FOUND IN FRAME PACK 30XXXX832

KEY #	DESCRIPTION	PART #	12 x 18'	12 x 24'	15 x 24'	15 x 30'	18 x 33'	Price
7	Top Rail 45-15/32"	TL10002	8	8				28,71
	Top Rail 56-27/32"	TL10005			8	8	10	29,30
	Transition Top Rail 47"	TL10003		4				29,15
	Transition Top Rail 58-1/4"	TL10006	4		4	4	4	36,12
	SideTop Rail 47-1/4" between buttresses	TL10004		4	2			29,31
	SideTop Rail 58-3/4" between buttresses	TL10007				4	4	36,43
1	Vertical 51-1/2"	UR10005	10	10	10	10	12	34,66
4	Top Plate	1320102	10	10	10	10	12	1,77
17	SideTop Plate	1320160	2	6	4	6	6	1,78
2	Base Plate	1320101	10	10	10	10	12	1,08
n/a	Slotted Tube Connector (steel)	1470108	10	10	10	10	12	0,42
n/a	Slotted Tube Connector - side (resin)	1470087	2	6	4	6	6	0,83
n/a	47" Round Coping	1382480	13	16	17	20	23	3,88
19	Rail Support	1490494		4	2	4	4	3,74
5	Slotted Tube 12x44"	1470096	8	8				0,21
	Slotted Tube 15x55-1/2"	1470097			8	8		0,27
	Slotted Tube 18 x 55-1/4" (Yellow)	1470098	4				6	0,27
	Slotted Tube 24' x 55-1/2" (Green)	1470100			4	8	12	0,29
	Slotted Tube 18 x 44-1/8" (Blue)	1470104		4				0,21
	Slotted Tube 24' x 44-1/8" (White)	1470105		4	2			0,21
18	Bottom Rail 12'x44-5/8"	1460048	8	8				9,25
	Bottom Rail 15'x56"	1460049			8	8		12,25
	Bottom Rail 18' x56" (Yellow)	1460050	4				6	12,25
	Bottom Rail 24' x 56-1/4" (Orange)	1460052			4	4	8	11,84
	Bottom Rail 18' x44-5/8" (Blue)	1460138		4				9,76
	Bottom Rail 24' x 55.65" (Green)	1255624				4	4	7,17
	Bottom Rail 24' x44-5/8" (White)	1254424		4	2			5,92
9	Top Connector	LC10004	12	16	14	16	18	2,43
10	Lower connector, round end only	LC10005	10	10	10	10	12	4,12
	Lower connector, for buttress only	LC10006	2	6	4	6	6	4,12
3,6,8	Hardware Pack (Qty. - 59)	1184299					1	10,68
	Hardware Pack (Qty. - 77)	1184300	2	2	2	2	1	14,29
	Hardware Pack (Qty. - 29)	1184298					1	5,96
n/a	DVD	36877	1	1	1	1	1	9,01

<b>OVAL COMPONENTS - FOUND IN MID PACK 3901520640</b>								
KEY #	DESCRIPTION	PART #	12 x 18'	12 x 24'	15 x 24'	15 x 30'	18 x 33'	Price
11	Upright 51-1/2"	CL10000	2	6	4	6	6	101,66
12	Diagonal	CL10001	2	6	4	6	6	72,32
16	Hold Down Plate	1320162	2	6	4	6	6	98,50
14	Diagonal Bracket	1320152	2	6	4	6	6	1,31
15	Oval Base Plate	1320154	2	6	4	6	6	2,11
	Hardware Pack	1184292	1	3	2	3	3	24,27

<b>STRAP PACK 36XXXX10</b>								
KEY #	DESCRIPTION	PART #	12 x 18'	12 x 24'	15 x 24'	15 x 30'	18 x 33'	Price
12	12 Strap x 215.55"	1510132	1	3				44,40
	15' Strap x 251.55"	1510133			2	3		67,89
	18' Strap x 287.55"	1510134					3	67,89

<b>COMPONENTS FOUND IN STANDARD WALL PACK - WXXX52S-WMNXXXX</b>								
KEY #	DESCRIPTION	PART #	12 x 18'	12 x 24'	15 x 24'	15 x 30'	18 x 33'	Price
5	Wall	133XXXX	1	1	1	1	1	n/a
n/a	52" Joiner Hardware	1184285	1	1	1	1	1	15,53
n/a	Wall Bar	11823	2	2	2	2	2	8,18