

## Pool Breakdown

# MATRIX 15'x26'OVAL 54"

## NB1245

<p><b><u>FEATURES:</u></b>  Oval  Size: 15X26q  Depth: 54+  60 Year Warranty</p>	<p><b><u>STRUCTURE COMPOSITION:</u></b>  Resin top rails  Resin uprights  Resin bottom rails  Resin-square stabilizers  Resin bottom plates</p>
--	---

	Qty	Carton #	Carton Content Description
<input type="checkbox"/>	1	<b>CXMAT1526-RRRS1</b>	MATRIX - 52" BOTTOM RAIL RESIN; PLASTIC COPING; BOTTOM PLATE; TOP COVER; TOP PLATE
<input type="checkbox"/>	1	<b>CRMAT15TR-10R</b>	MATRIX - TOP RAIL-RESIN
<input type="checkbox"/>	1	<b>CRMATUR54-12</b>	MATRIX - 54" UPRIGHT CURVED SIDE-RESIN
<input type="checkbox"/>	1	<b>CVMATTR-08</b>	MATRIX - OVAL PARTS; TOP RAIL-RESIN
<input type="checkbox"/>	1	<b>CVMATVR54-02</b>	MATRIX - 54" OVAL PARTS; PLASTIC COPING; TOP PLATE; UPRIGHT STRAIGHT SIDE- RESIN
<input type="checkbox"/>	1	<b>CVMATVR54-04</b>	MATRIX - 54" OVAL PARTS; PLASTIC COPING; TOP PLATE; UPRIGHT STRAIGHT SIDE- RESIN
<input type="checkbox"/>	1	<b>CVMATVR54-06</b>	MATRIX - 54" PLASTIC COPING; UPRIGHT STRAIGHT SIDE-STEEL
<input type="checkbox"/>	1	<b>CVSTRAP15-09</b>	UNIVERSAL - OVAL PARTS; STRAP
<input type="checkbox"/>	1	<b>CVUCGSTL-0202</b>	UNIVERSAL - OVAL PARTS; STRAIGHT SIDE PARTS
<input type="checkbox"/>	1	<b>CVUCGSTL-0404</b>	UNIVERSAL - OVAL PARTS; STRAIGHT SIDE PARTS
<input type="checkbox"/>	1	<b>WTRI54S-WMN1526-849</b>	1526' WALL - TRINITY 54 STL WM

## Carton Breakdown

# MATRIX 15'x26' OVAL 54" NB1245

Key #	Qty	Item #	Mfg Part #	Part Description	
<b>CARTON # CXMAT1526-RRRS1</b>					
<input type="checkbox"/>	2	16	NBP3075	22809	WALL RIM MATRIX - STRAIGHT SIDE CHAMP RESIN
<input type="checkbox"/>	2	20	NBP3068	22803	WALL RIM MATRIX - CURVED CHAMP RESIN 7'6"R 49+
<input type="checkbox"/>	4	12	NBP3066	22801	BOTTOM CUFF CHAMPAGNE RESIN MATRIX
<input type="checkbox"/>	7	19	NBP3078	10296	PLASTIC COPING SINGLE 48" FOR METAL STAB
<input type="checkbox"/>	8	18	NBP3065	22799	TC 8" CHAMPAGNE 1PC CLIP ON MAT
<input type="checkbox"/>	11	6	NBP3055	18571	WALL RIM SPACER STRAIGHT SIDE WHITE RESIN 13"
<input type="checkbox"/>	11	12	NBP3047	17514	WALL RIM SPACER CURVED SIDE WHITE RESIN 11"
<input type="checkbox"/>	13	6	NBP3212	10136R	TOP PLATE, METAL, FOR RESIN OVAL COVER
<input type="checkbox"/>	---	1	NBP3041	15177	HARDWARE SS ODYSSEY 1526
<input type="checkbox"/>	---	1	-----	95-0007	ENVELOPES SAFETY COMPLETE
<input type="checkbox"/>	---	1	-----	95-0456	WARRANTY
<input type="checkbox"/>	---	1	-----	95-0432	INSTRUCTION POOL MATRIX OVAL
<b>TOPRAIL CARTON # CRMAT15TR-10R</b>					
<input type="checkbox"/>	6	10	NBP3057	22791	TR 8.5" CHAMPAGNE RESIN 15' 49-59/64" MAT
<b>UPRIGHT CARTON # CRMATUR54-12</b>					
<input type="checkbox"/>	5	12	NBP3063	22798	UR 6" RESIN CHAMPAGNE 54" MAT (54.011")

## Carton Breakdown

# MATRIX 15'x26' OVAL 54" NB1245

Key #	Qty	Item #	Mfg Part #	Part Description	
<b>CARTON # CVMATTR-08</b>					
<input type="checkbox"/>	6	8	NBP3213	22797	TR 8.5" CHAMPAGNE RESIN STRSIDE 38-1/16" MAT
<input type="checkbox"/>	21	6	NBP3164	16549	PRESSURE PLATE (44")
<b>CARTON # CVMATVR54-02</b>					
<input type="checkbox"/>	12	2	NBP3077	22928	TOP PLATE, RESIN, MATRIX FOR OVAL COVER
<input type="checkbox"/>	17	2	NBP3067	22802	WALL RIM CONNECT STR SIDE MATRIX CHAM RSN
<input type="checkbox"/>	24	2	NBP3113	29917	OVAL CHANNEL FOAM BLOCK 2 X 4 X 4-1/8
<input type="checkbox"/>	25	2	NBP3076	22903	UR OVAL MAT CHAMPAGNE RESIN COVER 54"
<b>CARTON # CVMATVR54-04</b>					
<input type="checkbox"/>	12	4	NBP3077	22928	TOP PLATE, RESIN, MATRIX FOR OVAL COVER
<input type="checkbox"/>	17	4	NBP3067	22802	WALL RIM CONNECT STR SIDE MATRIX CHAM RSN
<input type="checkbox"/>	24	4	NBP3113	29917	OVAL CHANNEL FOAM BLOCK 2 X 4 X 4-1/8
<input type="checkbox"/>	25	4	NBP3076	22903	UR OVAL MAT CHAMPAGNE RESIN COVER 54"
<b>CARTON # CVMATVR54-06</b>					
<input type="checkbox"/>	14	6	NBP3056	22151	WRAP UR OVAL GR STLSKELTN FOR RESN 52.562
<input type="checkbox"/>	24	6	NBP3113	29917	OVAL CHANNEL FOAM BLOCK 2 X 4 X 4-1/8

## Carton Breakdown

# MATRIX 15'x26' OVAL 54''

## NB1245

### **CARTON # CVSTRAP15-09**

<input type="checkbox"/>	17	6	NBP3163	16542	CONNECTOR BTM RAIL STR SIDE STEEL
<input type="checkbox"/>	18	6	NBP3162	16539	STRAP OVER CHANNEL 2" TALL X 52-3/8"
<input type="checkbox"/>	22	9	NBP3166	16725	STRAP SECTION 40-11/16"(FOR 15')
<input type="checkbox"/>	23	6	NBP3168	22726	OVAL CHANNEL END CAP

### **CARTON # CVUCGSTL-0202**

<input type="checkbox"/>	15	2	NBP3045	16374	GUSSET LEFT GALV STL
<input type="checkbox"/>	16	2	NBP3046	16375	GUSSET RIGHT GALV STL
<input type="checkbox"/>	19	2	NBP3161	15933	UNDER CHANNEL YARDMORE 45-9/16"
<input type="checkbox"/>	20	1	NBP3111	16722	HARDWARE SS ADD PACK YM(2 UPRIGHT)1224/1526

### **CARTON # CVUCGSTL-0404**

<input type="checkbox"/>	15	4	NBP3045	16374	GUSSET LEFT GALV STL
<input type="checkbox"/>	16	4	NBP3046	16375	GUSSET RIGHT GALV ST
<input type="checkbox"/>	19	4	NBP3161	15933	UNDER CHANNEL YARDMORE 45-9/16"
<input type="checkbox"/>	20	1	NBP3165	16720	HDW SS BASE PACK YM (4 UPRIGHTS)

### **WALL CARTON # WTRI54S-WMN1526-849**

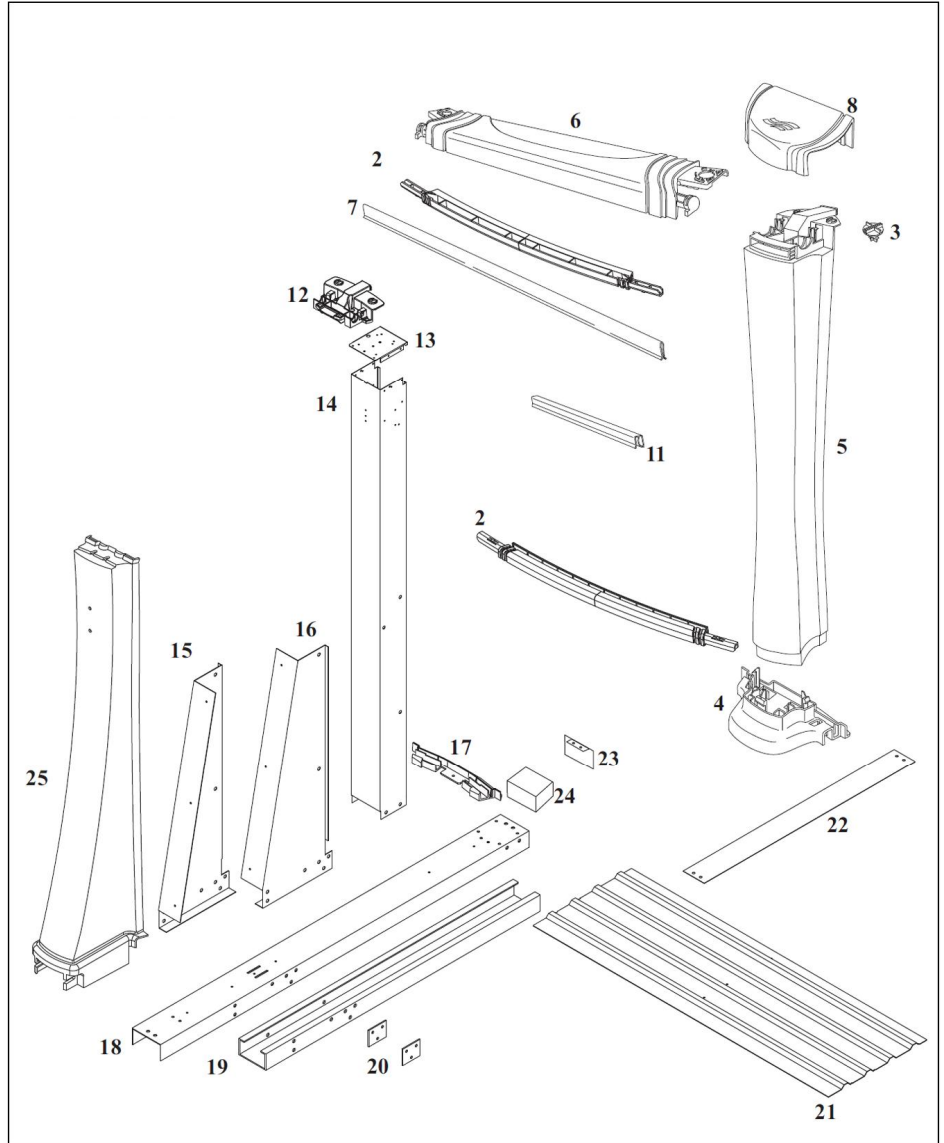
<input type="checkbox"/>	---	1	PC1230	WTRI54S	TRINITY 54 STL
<input type="checkbox"/>	---	2	NBP3192	17636	WALL BAR DOUBLE FINISHED/54" (51")

# Carton Breakdown

## MATRIX 15'x26' OVAL 54"

### NB1245

Key #	Part Description	Item #
2	Wall Rim, Straight Side	NBP3075
2	Wall Rim, Curved Side	NBP3068
4	Bottom Cuff	NBP3066
5	Upright	NBP3063
6	Top Rail	NBP3057
7	Coping	NBP3078
8	Top Cover	NBP3065
11	Wall Rim Spacer, Straight	NBP3055
11	Wall Rim Spacer, Curved	NBP3047
12	Top Plate, Resin	NBP3077
13	Top Plate, Metal	NBP3212
14	Upright Wrap, Oval	NBP3056
15	Left Gusset	NBP3045
16	Right Gusset	NPB3046
17	Wall Rim Connector, Straight Side	NBP3067
17	Connector, Bottom Rail Straight Side	NBP3163
18	Strap Over Channel	NBP3162
19	Under Channel	NBP3161
20	Hardware, 2 Uprights	NBP3111
20	Hardware, 4 Uprights	NBP3165
21	Pressure Plate	NBP3164
22	Strap Section	NBP3166
23	Oval Channel End Cap	NBP3168
24	Oval Channel Foam Block	NBP3113
25	Oval Upright Cover	NBP3076
---	Hardware*	NBP3041
---	Wall Bar	NBP3192
---	Trinity . Wall for 54"	PC1230



\* 3, Lockdown Fastener (NBP3054), is included in Hardware (NBP3041)