

A Top ledge  
B Upright  
C1 Top plate  
C2 Bottom plate  
D1 Stabilizer

D2 Bottom rail  
E Indexer  
F1/F2 Ledge cover  
H Wall joiner bars  
I Wall

Product Description:  
Product Code:

Magnus Round  
PMAG-\*\*54RSRSRSB10

Revised Jan. 2012  
Cancel all previous

Illustration reference	Description	Code number	Contents of boxes							Box #	Price \$
			# of parts required								
			for following dimensions								
			12'	15'	18'	21'	24'	27'	30'		
A	Top ledge	AR744-001-R	8	10	12	14	16	18	20	3of5	\$96,97
B	Upright	ART811-R12954M	8	10	12	14	16	18	20	4of5	\$43,69
C1	Top plate	21120A	8	10	12	14	16	18	20	5of5	\$4,56
C2	Bottom plate	CG21120B	8	10	12	14	16	18	20	5of5	\$4,31
D1	Stabilizer 12D	1255612	8	-	-	-	-	-	-	5of5	\$7,19
D1	Stabilizer 15D	1255615	-	10	-	-	-	-	-	5of5	\$7,20
D1	Stabilizer 18D	1255618	-	-	12	-	-	-	-	5of5	\$7,16
D1	Stabilizer 21D	1255621	-	-	-	14	-	-	-	5of5	\$7,16
D1	Stabilizer 24D	1255624	-	-	-	-	16	-	-	5of5	\$7,17
D1	Stabilizer 27D	1255627	-	-	-	-	-	18	-	5of5	\$7,14
D1	Stabilizer 30D	1255630	-	-	-	-	-	-	20	5of5	\$6,87
D2	Bottom rail	1325515	8	10	12	-	-	-	-	5of5	\$17,98
D2	Bottom rail	1325524	-	-	-	14	16	18	-	5of5	\$17,98
D2	Bottom rail	1325530	-	-	-	-	-	-	20	5of5	\$17,98
F1/F2	Ledge cover	AR211-23120ABC	8	10	12	14	16	18	20	5of5	\$13,67
H	Steel bars	(3)	-	-	-	-	-	-	-	1of5	n/a
I	Wall	(1)	1	1	1	1	1	1	1	1of5	n/a
	Hardware bag for pool	(2)	1	1	1	1	1	1	1	5of5	n/a
	Hardware for wall	(3)	1	1	1	1	1	1	1	1of5	n/a
	Instruction DVD	SACWBI36876	1	1	1	1	1	1	1	5of5	\$9,01
	Addendum	B40010FA	1	1	1	1	1	1	1	4of5	\$1,12

- (1) Refer to box code (codification based on sizes & options)
- (2) Refer to the chart
- (3) Refer to wall box content (content based on the method the wall was fabricated)

## Contents of boxes

### Box 1/5

Description	Code Number	12'	15'	18'	21'	24'	27'	30'
Steel bars	(3)	-	-	-	-	-	-	-
Wall	(1)	1	1	1	1	1	1	1
Hardware for wall	(3)	1	1	1	1	1	1	1

### Box 3/5

Description	Code Number	12'	15'	18'	21'	24'	27'	30'
Top ledge	AR744-001-R	8	10	12	14	16	18	20

### Box 4/5

Description	Code Number	12'	15'	18'	21'	24'	27'	30'
Upright	ART811-R12954M	8	10	12	14	16	18	20
Addendum	B40010FA	1	1	1	1	1	1	1

### Box 5/5

Description	Code Number	12'	15'	18'	21'	24'	27'	30'
Top plate	21120A	8	10	12	14	16	18	20
Bottom plate	CG21120A	8	10	12	14	16	18	20
Stabilizer 12D	1255612	8	-	-	-	-	-	-
Stabilizer 15D	1255615	-	10	-	-	-	-	-
Stabilizer 18D	1255618	-	-	12	-	-	-	-
Stabilizer 21D	1255621	-	-	-	14	-	-	-
Stabilizer 24D	1255624	-	-	-	-	16	-	-
Stabilizer 27D	1255627	-	-	-	-	-	18	-
Stabilizer 30D	1255630	-	-	-	-	-	-	20
Bottom rail	1325515	8	10	12	-	-	-	-
Bottom rail	1325524	-	-	-	14	16	18	-
Bottom rail	1325530	-	-	-	-	-	-	20
Ledge cover	AR211-23120ABC	8	10	12	14	16	18	20
Hardware bag for pool	(2)	1	1	1	1	1	1	1
Instruction DVD	36876	1	1	1	1	1	1	1

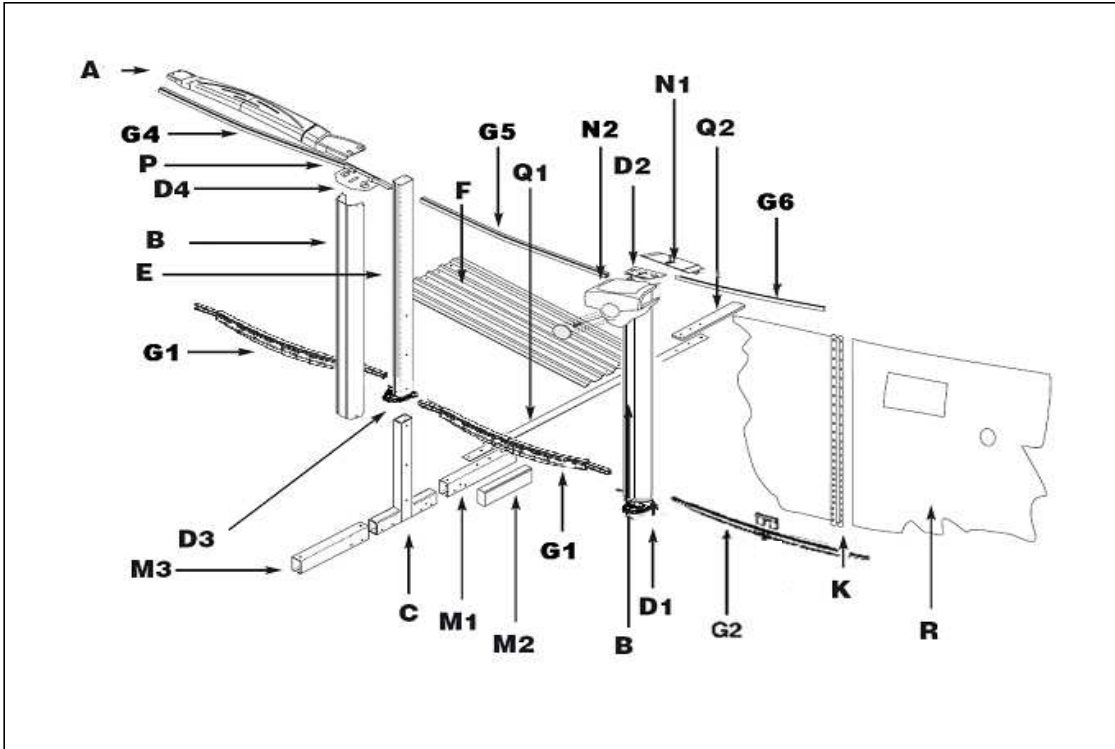
#### Metric Dimensions

12'	3,66 m
15'	4,57 m
18'	5,49 m
21'	6,40 m
24'	7,32 m
27'	8,23 m
30'	9,14 m

(1) Refer to box code (codification based on sizes & options)

(2) Refer to the chart

(3) Refer to wall box content (content based on the method the wall was fabricated)



- |                                  |                                  |
|----------------------------------|----------------------------------|
| A Top ledge                      | K Wall joiner bars               |
| B Upright                        | M1 Horizontal sleeve with pen    |
| C T unit                         | M2 Extruded polystyrene piece    |
| D1-D4 Bottom and top plate       | M3 Horizontal sleeve without pen |
| E Vertical sleeve                | N1/N2 Ledge cover                |
| F Brace plate                    | P Junction rail                  |
| G1-G6 Stabilizer and bottom rail | Q1/Q2 Steel strap                |
|                                  | R Wall                           |

Illustration reference	Description	Code number	Contents of boxes # of parts required for following dimensions					Box	Price \$					
			12x19	12x23	15x26	15x30	18x33							
			A1	Top ledge (round sections)	AR744-001-R	8	8			10	10	12	3of7	\$96,97
			A2	Top ledge (straight sections)	AR744-001-45	4	6			6	8	8	3of7	\$104,45
B	Upright	ART811-R12954M	12	14	16	18	20	4of7	\$43,69					
C	T unit	20801	6	4	4	10	10	5of7	\$251,46					
D1-D3	Bottom plates	CG21120B	12	14	16	18	20	7of7	\$4,31					
D2	Top plate (straight sections)	21134	6	8	8	10	10	7of7	\$8,11					
D4	Top plate (round sections)	21120A	6	6	8	8	10	7of7	\$4,56					
E	Vertical sleeve	20509	6	8	8	10	10	6of7	\$89,85					
F	Brace plate	20809	4	6	6	8	8	6of7	\$111,13					
G1	Bottom rail (straight section)	1314215	4	6	6	8	8	7of7	\$11,61					
G2	Bottom rail (round section)	1325515	4	4	6	6	8	7of7	\$17,98					
G2	Bottom rail (resine transition)	1325315	4	4	4	4	4	7of7	\$13,32					
G4	Stabilizer 38" (straight section)	1254138	4	6	6	8	8	7of7	\$4,90					
G5	Stabilizer 12D 54" (straight section)	1255412	4	4	-	-	-	7of7	\$7,19					
G5	Stabilizer 15D 54" (straight section)	1255415	-	-	4	4	-	7of7	\$7,19					
G5	Stabilizer 18D 54" (straight section)	1255418	-	-	-	-	4	7of7	\$7,50					
G6	Stabilizer 12D 56" (round section)	1255612	4	4	-	-	-	7of7	\$7,19					
G6	Stabilizer 15D 56" (round section)	1255615	-	-	6	6	-	7of7	\$7,20					
G6	Stabilizer 18D 56" (round section)	1255618	-	-	-	-	8	7of7	\$7,16					
K	Steel bars	(3)	-	-	-	-	-	1of7	n/a					
M1	Horizontal sleeve with pen	20810	6	8	8	10	10	7of7	\$50,67					
M2	Extruded polystyrene piece	1000100	6	4	4	10	10	5of7	\$1,53					
M3	Horizontal sleeve without pen	20802	6	8	8	10	10	7of7	\$39,06					
N1/N2	Ledge cover	AR211-23120ABC	12	14	16	18	20	7of7	\$13,67					
P	Junction rail	12539	12	16	16	20	20	7of7	\$3,29					
Q1	Steel strap 60"	20560	6	8	12	15	15	7of7	\$15,02					
Q2	Steel strap 26"	20526	3	4	-	-	10	7of7	\$7,49					
R	Wall	(1)	1	1	1	1	1	1of7	n/a					
	Hardware bag/pool	(2)	1	1	1	1	1	7of7	n/a					
	Hardware bag/wall	(3)	1	1	1	1	1	1of7	n/a					
	Instruction DVD	SACWBI36876	1	1	1	1	1	7of7	n/a					
	Addendum	B40010FA	1	1	1	1	1	7of7	\$1,12					

- (1) Refer to box code (codification based on sizes & options)
- (2) Refer to the chart
- (3) Refer to wall box content (content based on the method the wall was fabricated)

## Contents of boxes

### Box 1/7

Description	Code Number	12'x19'	12'x23'	15'x26'	15'x30'	18'x33'
Steel bars	(3)	-	-	-	-	-
Wall	(1)	1	1	1	1	1
Hardware bag/wall	(3)	1	1	1	1	1

### Box 3/7

Top ledge (round sections)	AR744-001-R	8	8	10	10	12
Top ledge (straight sections)	AR744-001-45	4	6	6	8	8

### Box 4/7

Upright	ART811-R12954M	12	14	16	18	20
Addendum	B40010FA	1	1	1	1	1

### Box 5/7

T unit	20801	6	4	4	10	10
Extruded polystyrene piece	1000100	6	4	4	10	10

### Box 6/7

Vertical sleeve	20509	6	8	8	10	10
Brace plate	20809	4	6	6	8	8

### Box 7/7

Bottom joiner plates	CG21120B	12	14	16	18	20
Top plate (straight sections)	21134	6	8	8	10	10
Top plate (round sections)	21120A	6	6	8	8	10
Bottom rail (straight section)	1314215	4	6	6	8	8
Bottom rail (round section)	1325515	4	4	6	6	8
Bottom rail (resine transition)	1325315	4	4	4	4	4
Stabilizer 38" (straight)	1254138	4	6	6	8	8
Stabilizer 12D 54" (straight)	1255412	4	4	-	-	-
Stabilizer 15D 54" (straight sections)	1255415	-	-	4	4	-
Stabilizer 18D 54" (straight sections)	1255418	-	-	-	-	4
Stabilizer 12D 56" (straight sections)	1255612	4	4	-	-	-
Stabilizer 15D 56" (straight sections)	1255615	-	-	6	6	-
Stabilizer 18D 56" (straight sections)	1255618	-	-	-	-	8
Horizontal sleeve with pen	20810	6	8	8	10	10
Horizontal sleeve without pen	20802	6	8	8	10	10
Ledge cover	AR211-23120ABC	12	14	16	18	20
Junction rail	12539	12	16	16	20	20
Steel strap 60"	20560	6	8	12	15	15
Steel strap 26"	20526	3	4	-	-	10
Hardware bag/pool	(2)	1	1	1	1	1
Instruction DVD	SACWBI36876	1	1	1	1	1

Metric Dimensions	
26"	0,66 m
38"	0,97 m
45"	1,14 m
60"	1,52 m
12' x 19'	3,66 m x 5,80 m
12' x 23'	3,66 m x 7,02 m
15' x 26'	4,57 m x 7,93 m
15' x 30'	4,57 m x 9,14 m
18' x 33'	5,49 m x 10,06 m

- (1) Refer to box code (codification based on sizes & options)  
 (2) Refer to the chart  
 (3) Refer to wall box content (content based on the method the wall was fabricated)