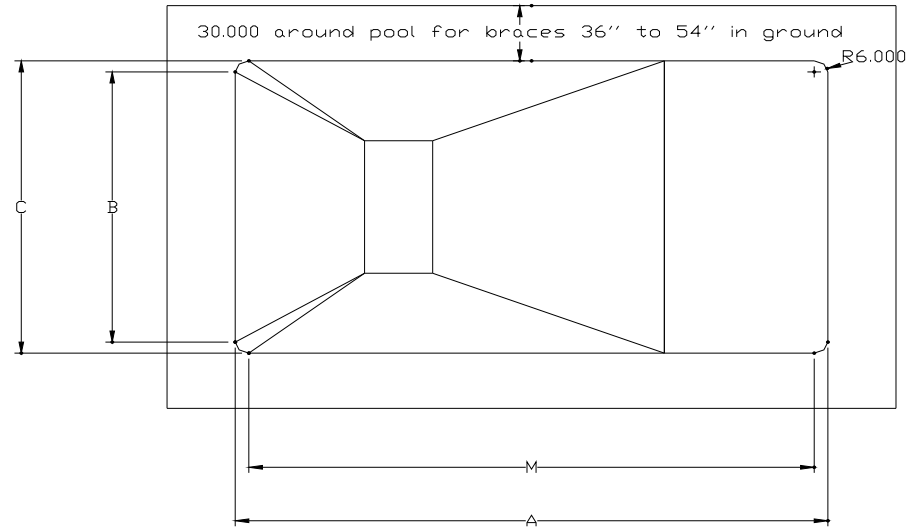
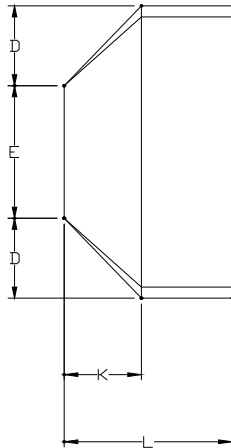
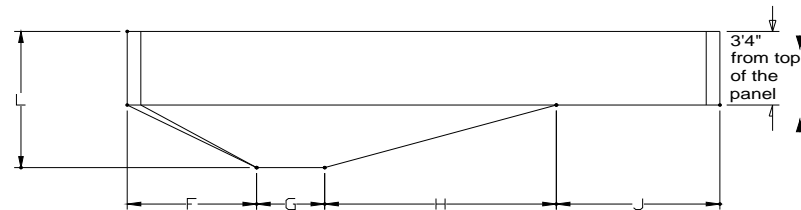


EZ PANEL DIG SHEETS FOR DEEP-END INSTALLATIONS

Rectangle Pools



	9'x13'	9'x18'	13'x18'	13'x22'	13'x26'	17'x22'	17'x26'	17'x30'	17'x35'	17'x39'
A	13'2-3/4"	17'5-7/8"	17'5-7/8"	21'9"	26'0"	21'9"	26'0"	30'3-1/8"	34'6-1/4"	38'9-1/4"
B	7'11-3/4"	7'11-3/4"	12'2-7/8"	12'2-7/8"	12'2-7/8"	16'5-7/8"	16'5-7/8"	16'5-7/8"	16'5-7/8"	16'5-7/8"
C	8'11-3/4"	8'11-3/4"	13'2-7/8"	13'2-7/8"	13'2-7/8"	17'5-7/8"	17'5-7/8"	17'5-7/8"	17'5-7/8"	17'5-7/8"
D	2'5-7/8"	2'5-7/8"	3'7-7/16"	3'7-7/16"	3'7-7/16"	4'8-15/16"	4'8-15/16"	4'8-15/16"	4'8-15/16"	4'8-15/16"
E	4'0"	4'0"	6'0"	6'0"	6'0"	8'0"	8'0"	8'0"	8'0"	8'0"
F	3'0"	3'0"	3'0"	4'0"	4'0"	4'0"	4'0"	4'0"	4'0"	4'0"
G	1'6"	3'0"	3'0"	4'0"	5'0"	4'0"	5'0"	6'0"	8'0"	9'0"
H	4'0"	6'0"	7'0"	8'0"	10'0"	8'0"	10'0"	12'0"	13'0"	15'0"
I										
J	4'8-3/4"	5'5-7/8"	5'5-7/8"	5'9"	7'0"	5'9"	7'0"	8'3-1/8"	9'6-1/4"	10'6-1/4"
K	2'10"	2'10"	2'10"	2'10"	2'10"	5'4"	5'4"	5'4"	5'4"	5'4"
L	6'2"	6'2"	6'2"	6'2"	6'2"	8'8"	8'8"	8'8"	8'8"	8'8"
M	12'2-3/4"	16'5-7/8"	16'5-7/8"	20'9"	25'0"	20'9"	25'0"	29'3-1/8"	33'6-1/4"	37'9-1/4"



DANGER ! WARNING!

An **EZ PANEL POOL** with a "deep-end" is not thereby, or automatically, a "safe" diving pool. It is the absolute obligation and sole, personal responsibility of the installer and Home-owner to be certain that the "swimming pool" is safe for the intended use and allowed activities.

Furthermore, that the bounded water volume complies with all applicable national and local codes, laws, regulations, and minimum standards established for the interior water geometry having full extent of safe, and adequate deep water for diving configuration or other intended, or allowed use.

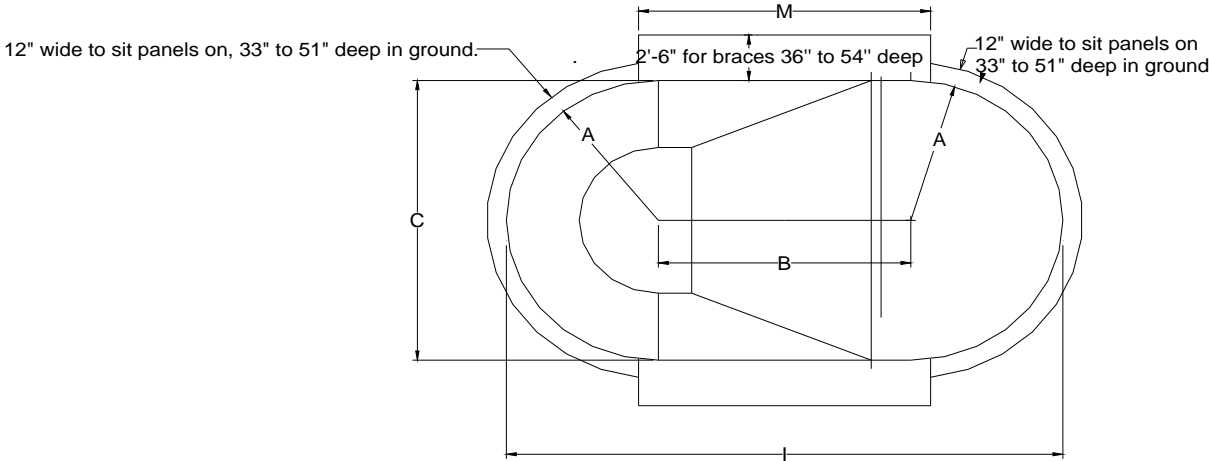
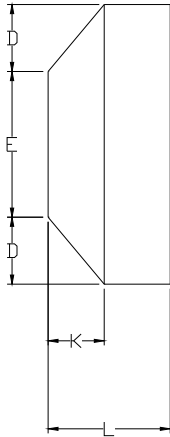
Swimming pools can be deadly, cause permanent harm, or injury, if used or installed improperly. The dimensions supplied are a guide and are not meant to over-ride any Code, Law, Regulation, or established Standard.

All swimming pools should be used with very responsible, appropriate, constant supervision and judgment.

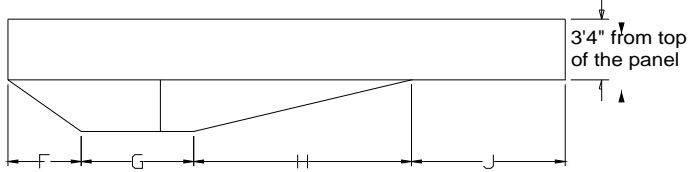


EZ PANEL DIG SHEETS FOR DEEP-END INSTALLATIONS

Oval Pools



	12'x17'	12'x22'	12'x26'	12'x30'	15'x20'	15'x24'	15'x28'	15'x32'	17'x22'	17'x26'	17'x31'	17'x35'	17'x39'	21'x45'
A	58-3/8"	58-3/8"	58-7/8"	58-3/8"	77-1/8"	77-1/4"	77-1/8"	77-1/8"	86-5/8"	86-3/4"	86-3/4"	86-3/4"	86-7/8"	106-3/4"
B	63-1/2"	106-5/8"	149-3/8"	190-1/2"	43-1/16"	86-1/8"	129-1/4"	170-1/4"	52-1/8"	95-1/8"	138-1/4"	171-3/8"	222"	239-5/8"
C	114-5/8"	114-5/8"	115-3/4"	114-7/8"	152-3/8"	152-1/2"	152-3/8"	152-3/8"	171-1/4"	171-1/2"	171-1/2"	171-1/2"	171-7/8"	211-5/8"
D	28-3/8"	22-3/8"	27-8-7/8"	28-3/8"	37-1/8"	37-1/4"	37-1/8"	37-1/8"	40-5/8"	40-3/4"	40-3/4"	40-3/4"	40-7/8"	40-3/4"
E	60"	60"	60"	60"	80"	80"	80"	80"	90"	90"	90"	90"	90"	130"
F	28-3/8"	28-3/8"	28-7/8"	28-3/8"	37-1/8"	37-1/4"	37-1/8"	37-1/8"	40-5/8"	40-3/4"	40-3/4"	40-3/4"	40-7/8"	40-3/4"
G	40"	40"	50"	60"	50"	50"	50"	50"	60"	70"	50"	50"	90"	120"
H	40"	70"	90"	120"	30"	70"	90"	100"	40"	70"	100"	110"	130"	140"
I	178-1/8"	21'11-1/4"	26'3-1/4"	30'5-3/8"	19'5-1/8"	23'8-5/8"	27'11-5/8"	32'2-5/8"	22'3-3/8"	26'6-3/4"	30'9-3/4"	35'0-7/8"	39'3-7/8"	44'11-1/4"
J	6'11-7/8"	8'2-7/8"	9'6-3/8"	9'8-7/8"	7'10-1/4"	8'1-3/8"	9'4-3/8"	11'7-1/2"	9'2-3/4"	10'6"	9'9"	12'0-1/8"	13'2-7/8"	14'10-1/2"
K	2'10"	2'10"	2'10"	2'10"	2'10"	2'10"	2'10"	2'10"	5'4"	5'4"	5'4"	5'4"	5'4"	5'4"
L	6'2"	6'2"	6'2"	6'2"	6'2"	6'2"	6'2"	6'2"	8'8"	8'8"	8'8"	8'8"	8'8"	8'8"
M	6'5"	10'8-1/8"	14'11-1/4"	19'2-1/4"	6'5"	10'8-1/8"	14'11-1/4"	19'2-1/4"	6'5"	10'8-1/8"	14'11-1/4"	19'2-1/4"	23'5-3/8"	23'5-3/8"



DANGER ! WARNING!

An EZ PANEL POOL with a "deep-end" is not thereby, or automatically, a "safe" diving pool. It is the absolute obligation and sole, personal responsibility of the installer and Home-owner to be certain that the "swimming pool" is safe for the intended use and allowed activities.

Furthermore, that the bounded water volume complies with all applicable national and local codes, laws, regulations, and minimum standards established for the interior water geometry having full extent of safe, and adequate deep water for diving configuration or other intended, or allowed use.

Swimming pools can be deadly, cause permanent harm, or injury, if used or installed improperly. The dimensions supplied are a guide and are not meant to over-ride any Code, Law, Regulation, or established Standard.

All swimming pools should be used with very responsible, appropriate, constant supervision and judgment.