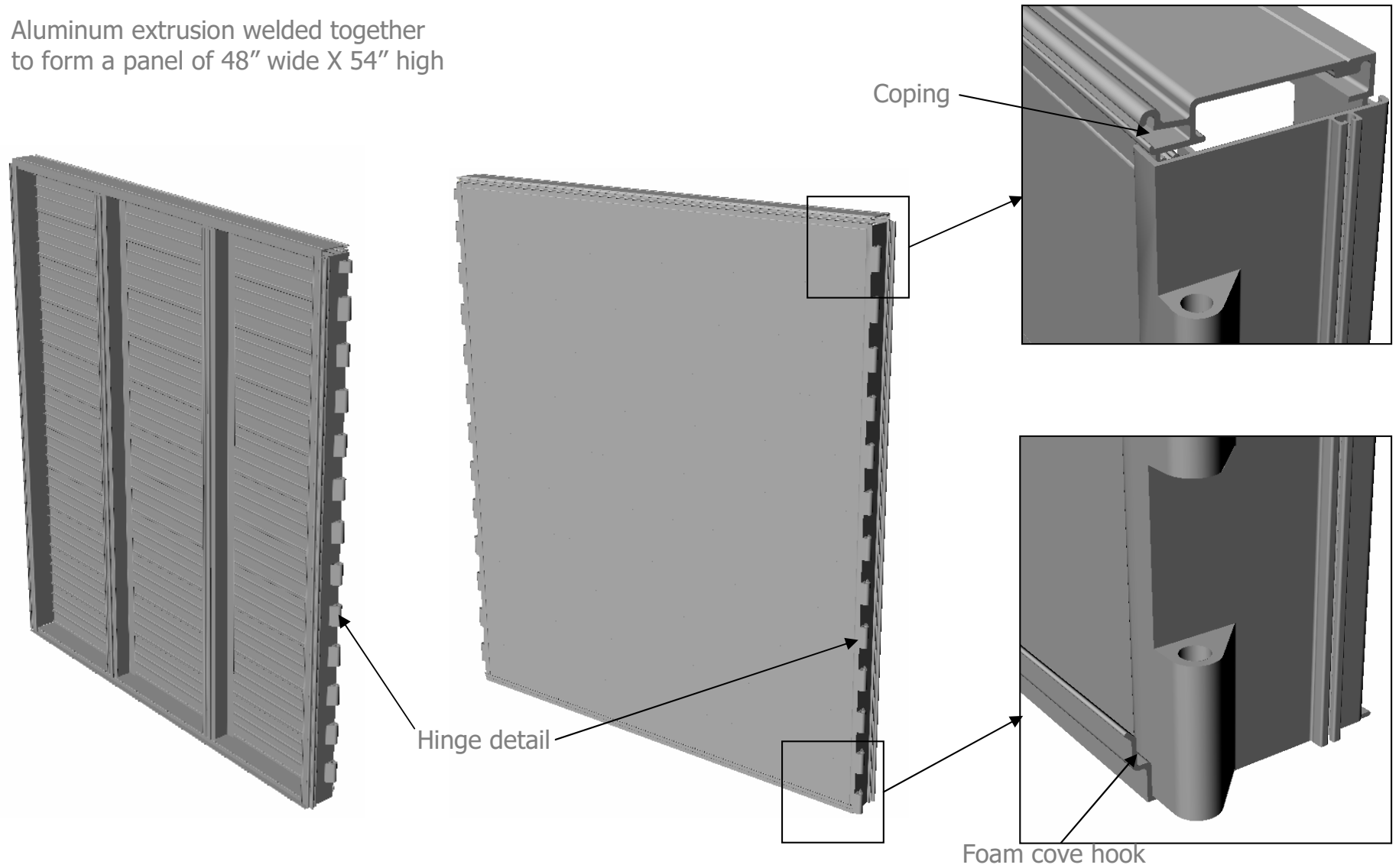
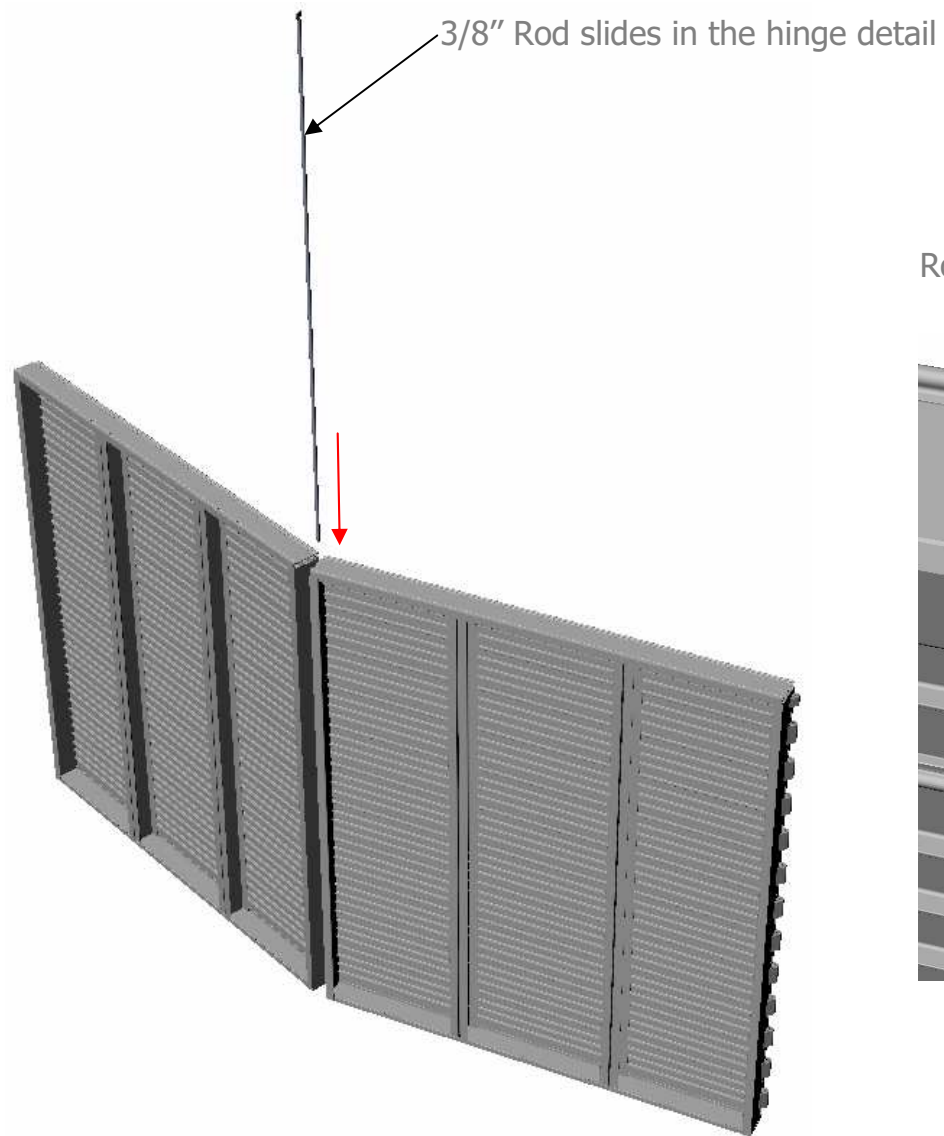


08-030 EZ Panel - Panel

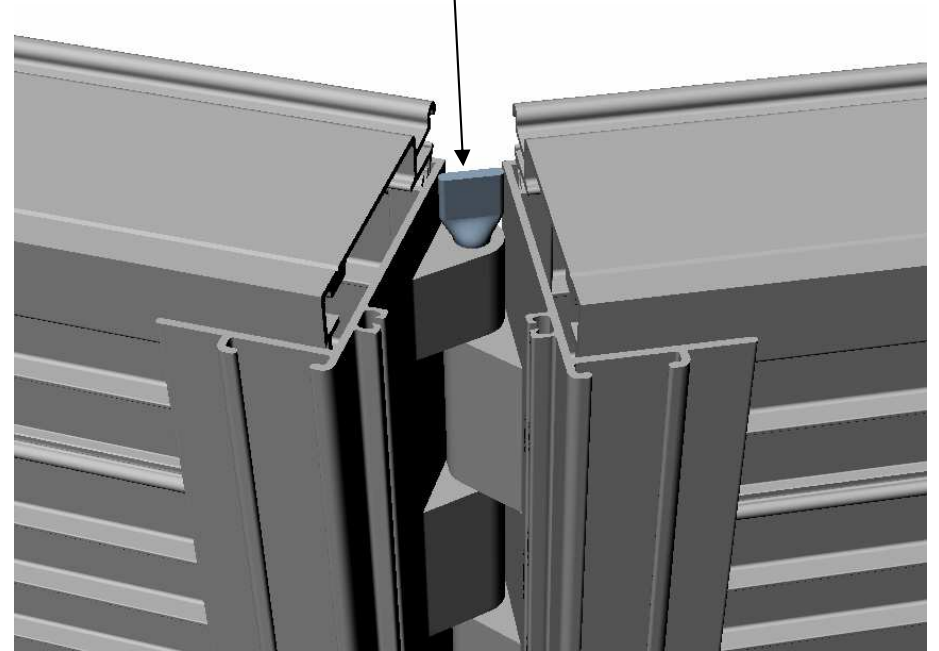
Aluminum extrusion welded together to form a panel of 48" wide X 54" high



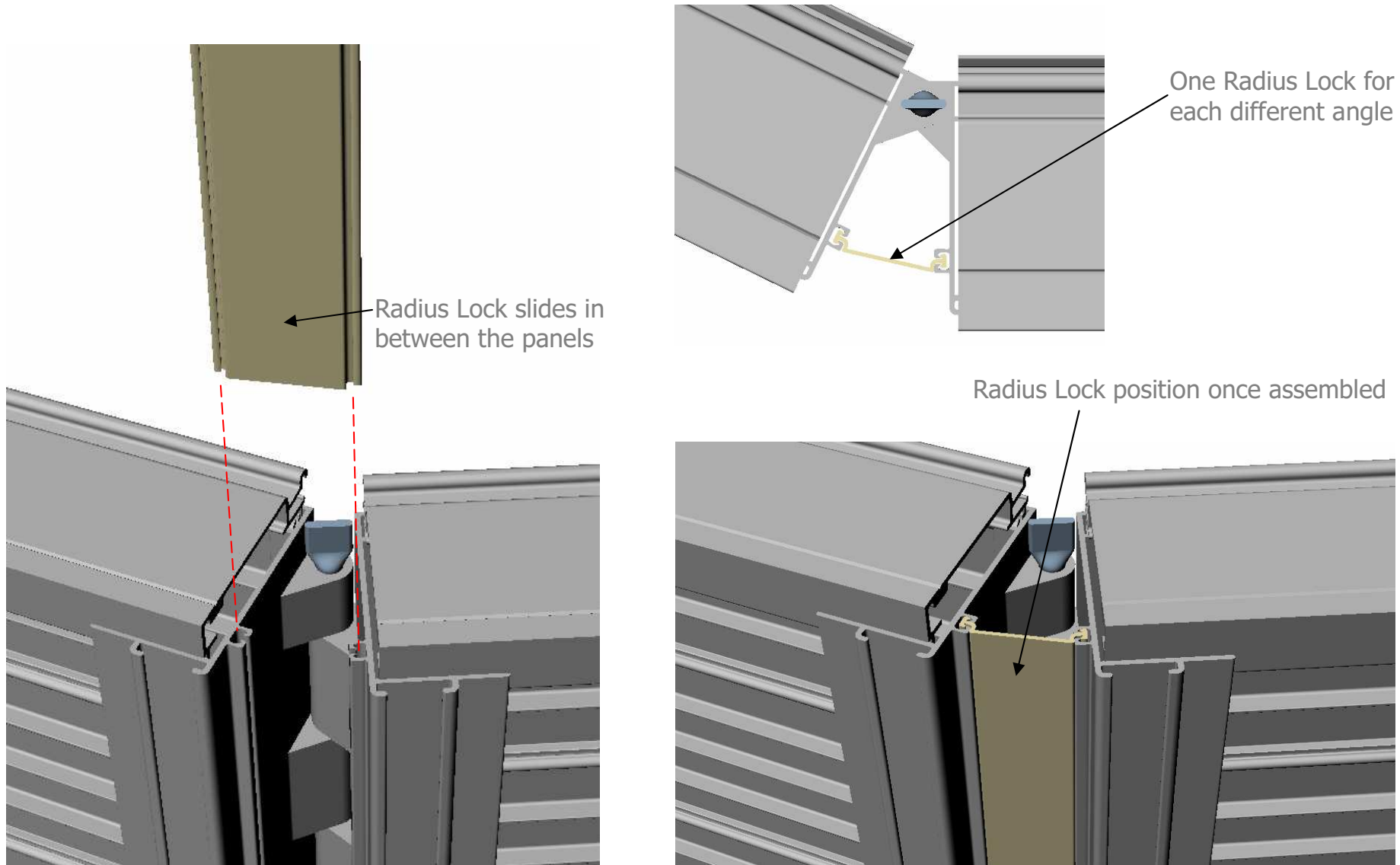
08-030 EZ Panel – Panel assembly (round section)



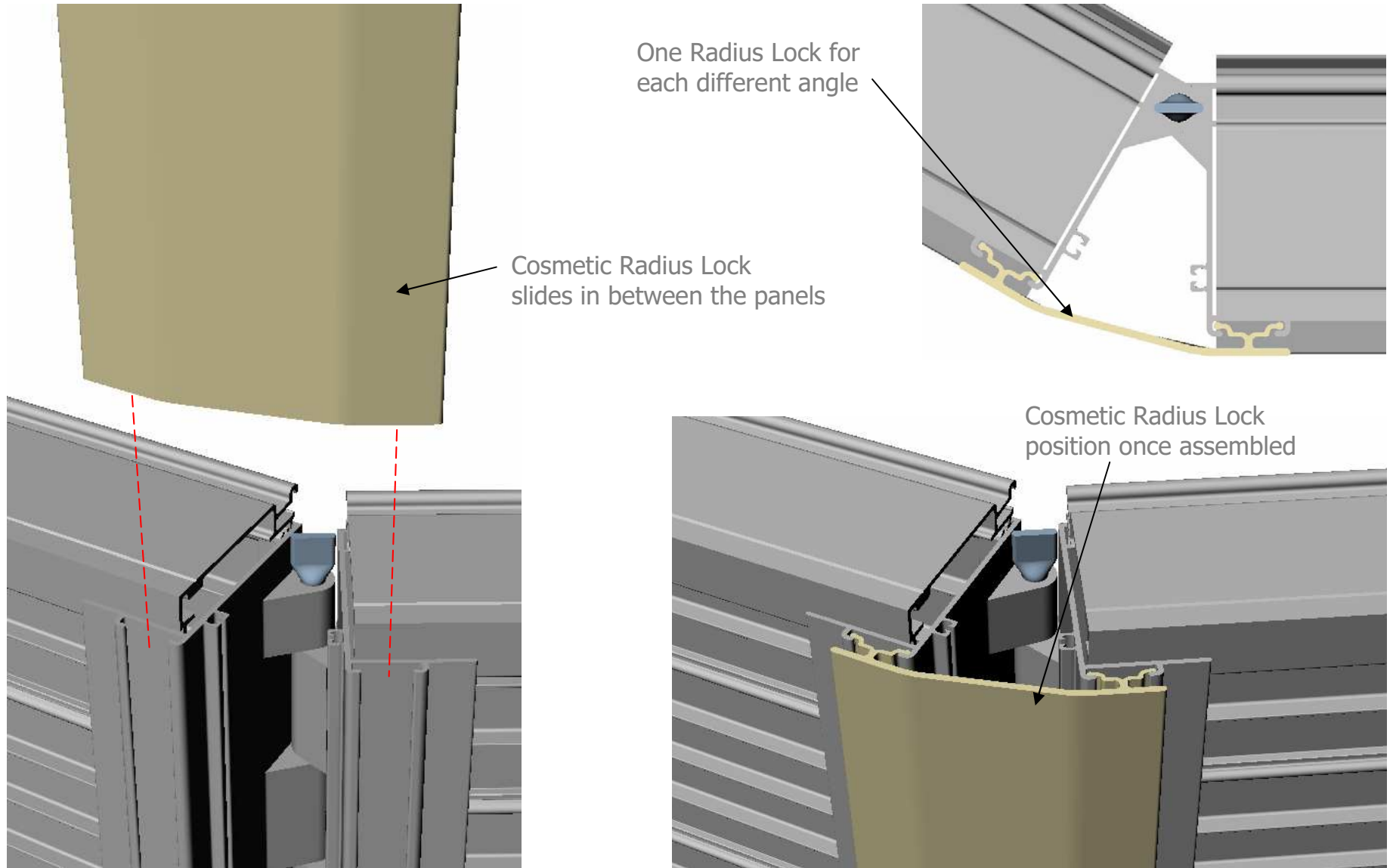
Rod position once assembled



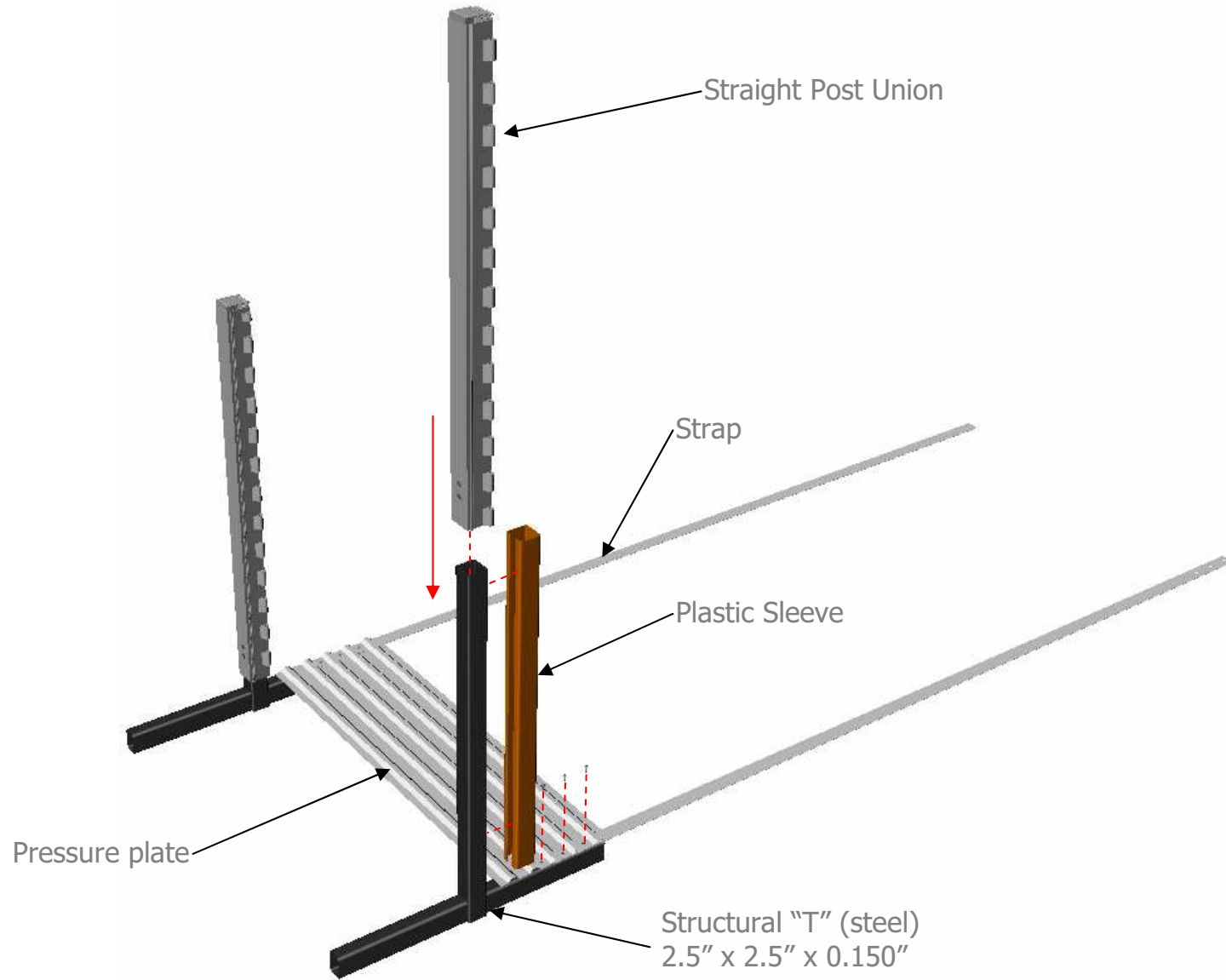
08-030 EZ Panel – Radius Lock



08-030 EZ Panel – Cosmetic Radius Lock

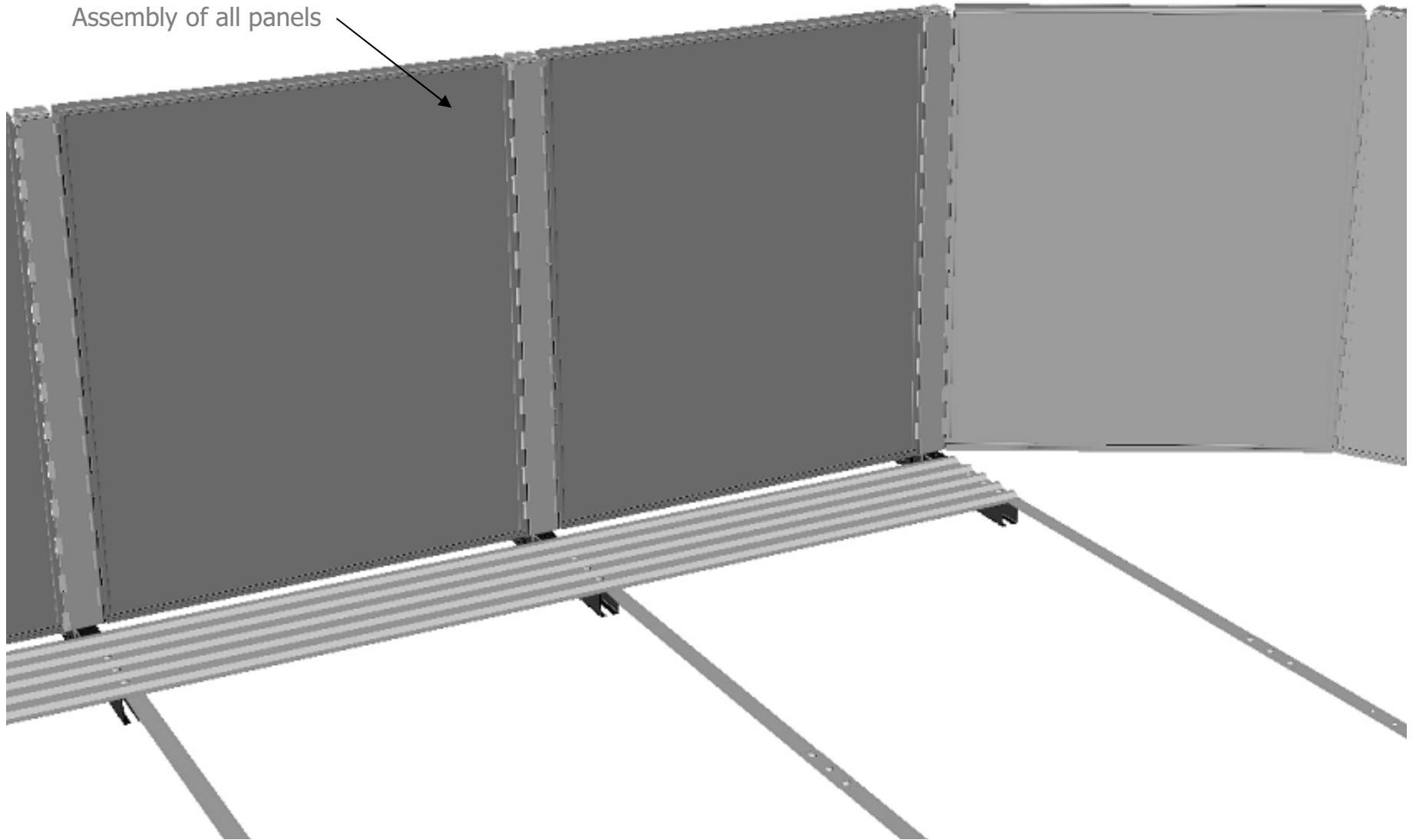


08-030 EZ Panel – Oval System – step 1

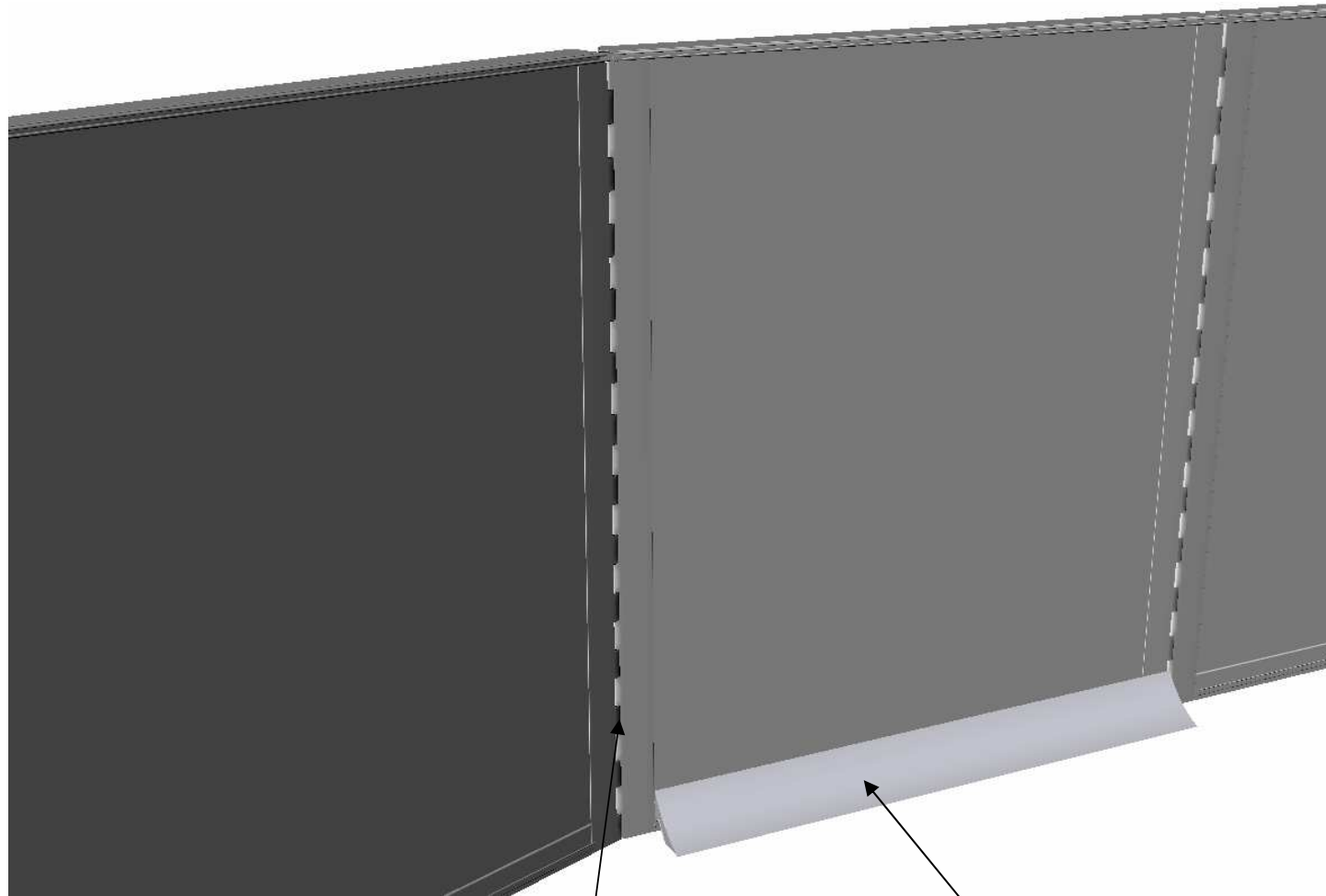


08-030 EZ Panel – Oval System – step 2

Assembly of all panels



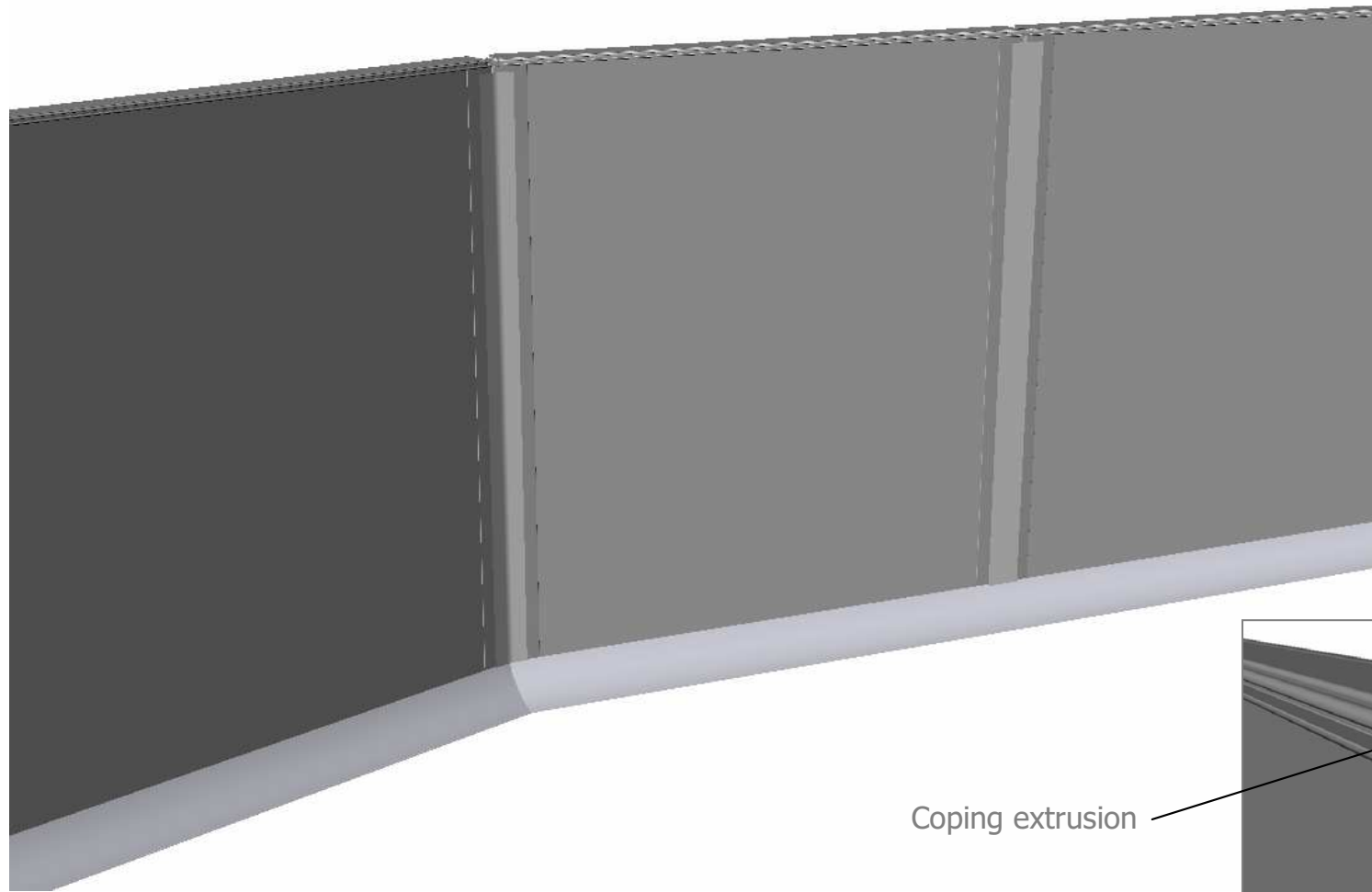
08-030 EZ Panel – Liner preparation



Tape is applied on each joint to seal the pool for liner installation with vacuum

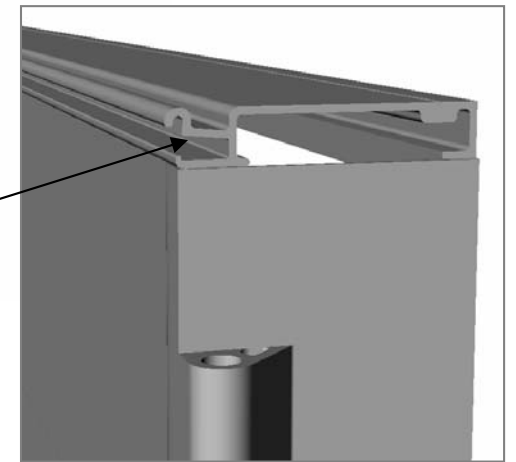
Foam cove or sand cove is installed at the base of the panel

08-030 EZ Panel – Liner installation

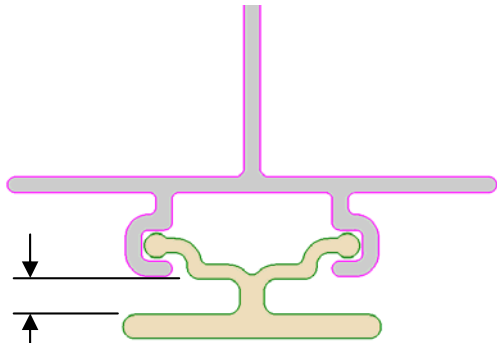


At this stage, the liner can be installed

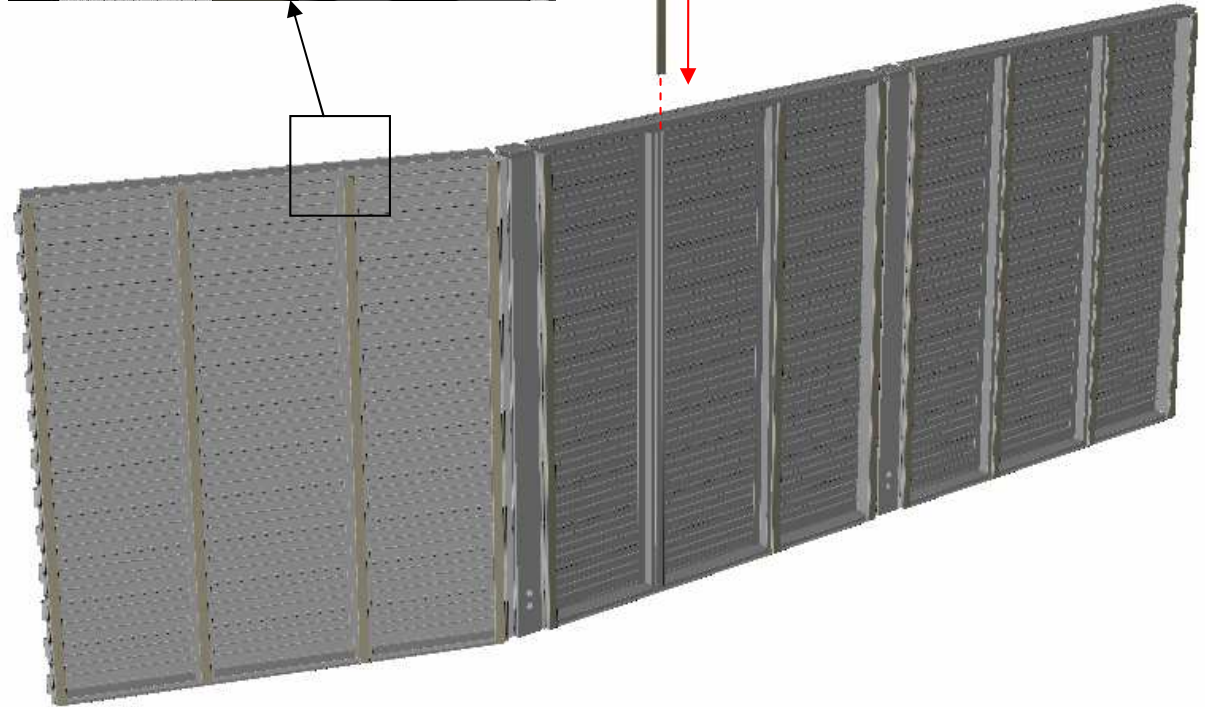
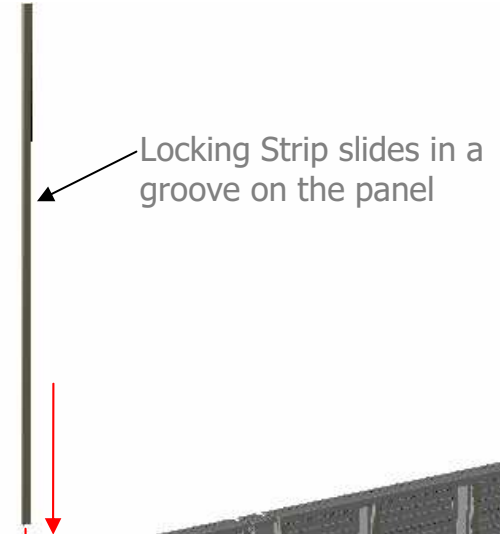
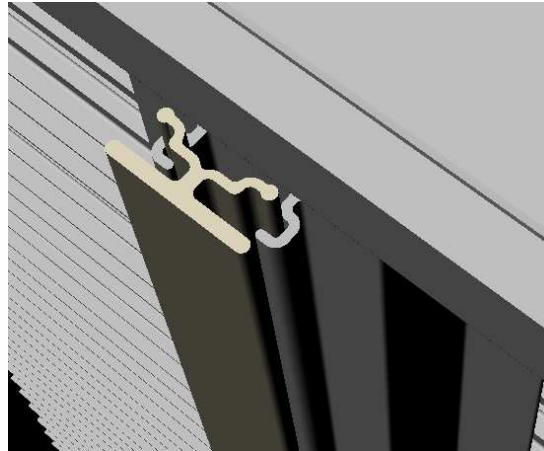
Coping extrusion



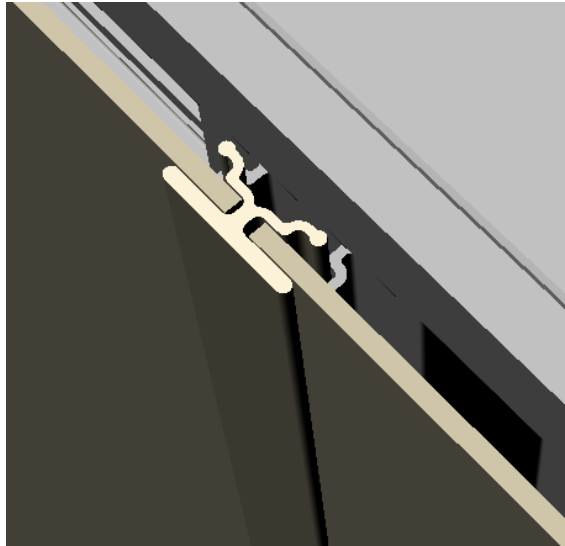
08-030 EZ Panel – Cosmetic panels/corners assembly



Locking Strip made in order to accept a specific thickness according to the Cosmetic Panel material



08-030 EZ Panel – Cosmetic panels/corners assembly

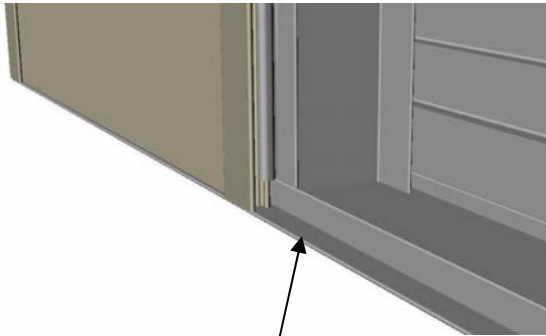


Cosmetic Panel slides in the Locking Strip

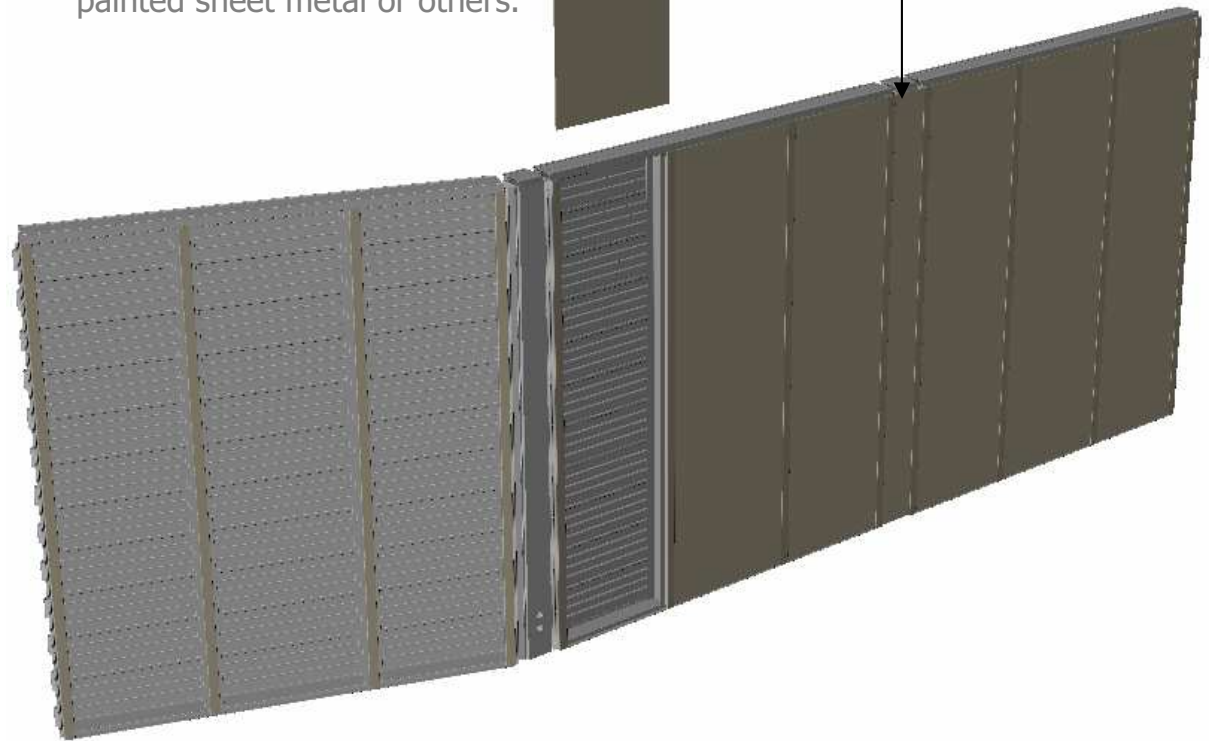
Material could be plastic vacuum form (stone/wood/brick pattern), painted sheet metal or others.



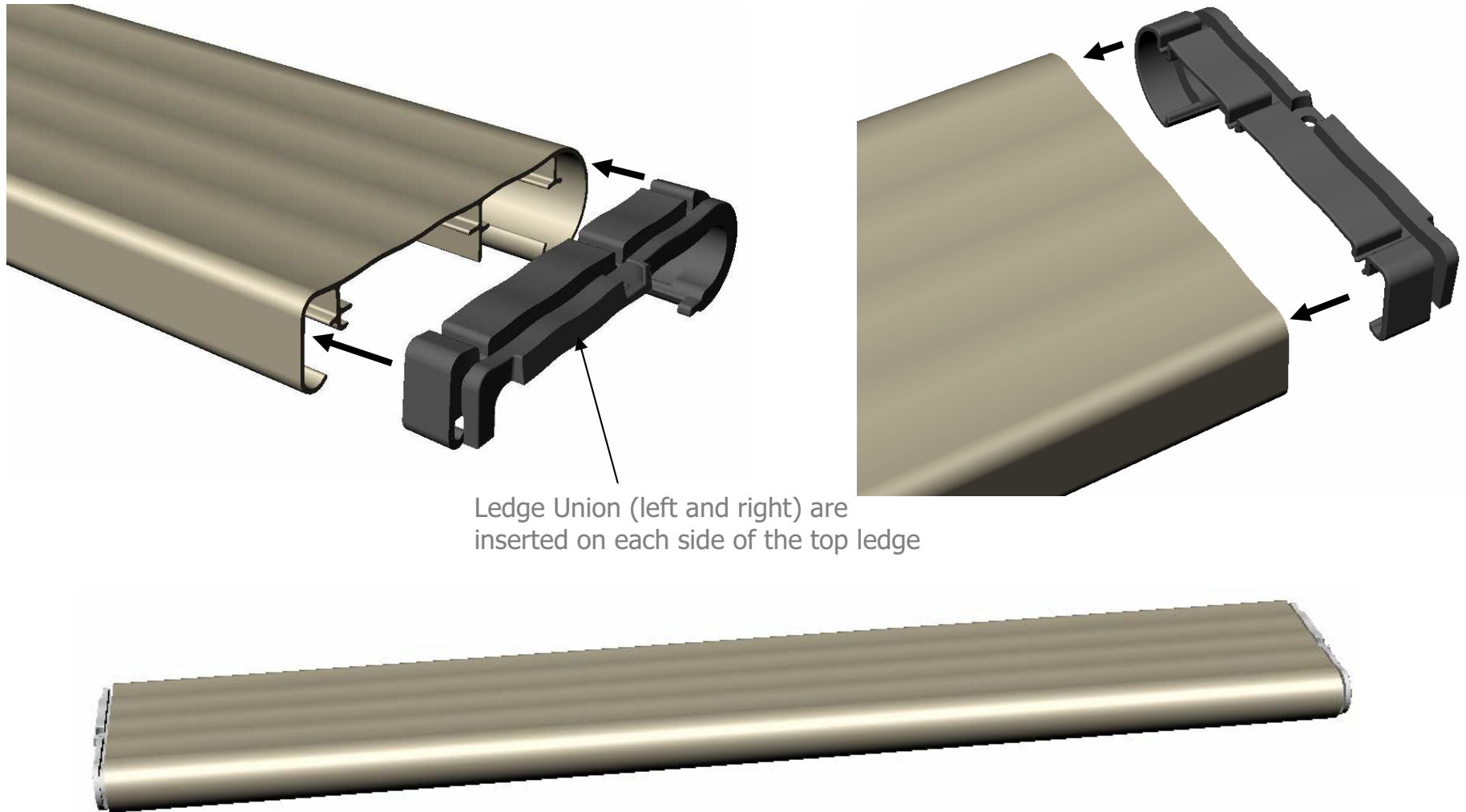
Cosmetic corners



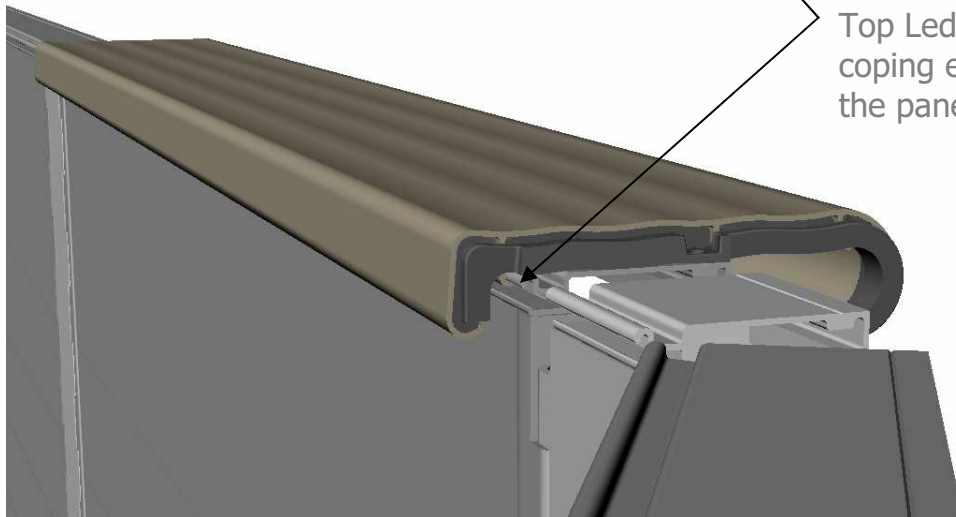
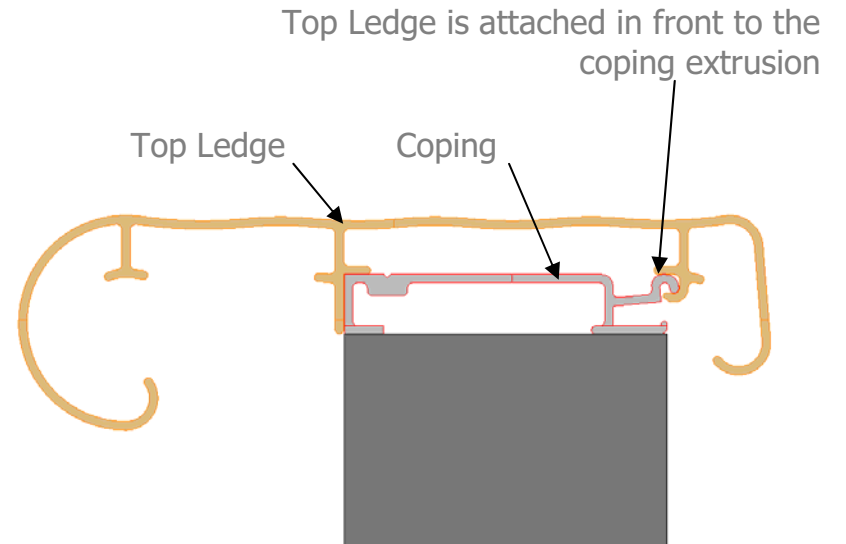
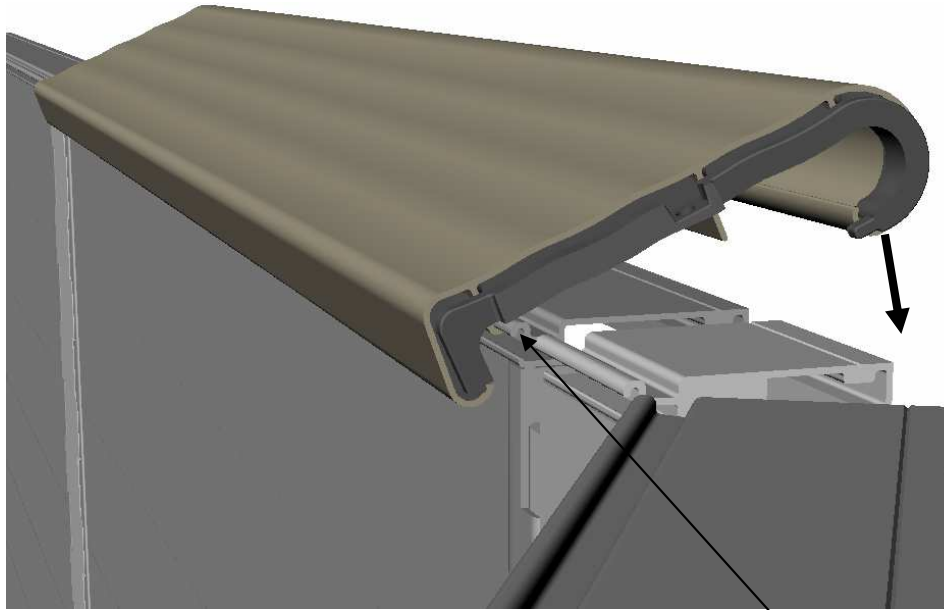
Cosmetic Panel sits on panel Bottom extrusion



08-030 EZ Panel – Top ledge sub-assembly



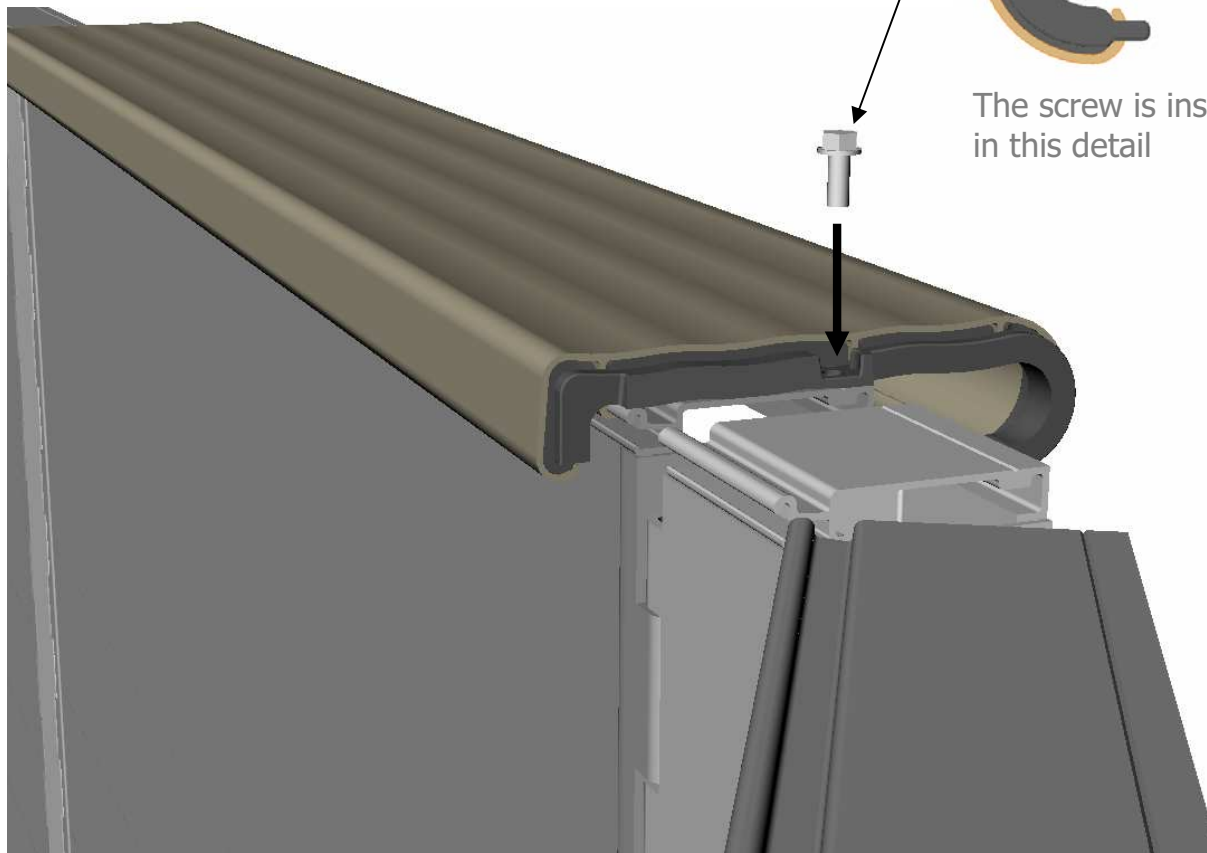
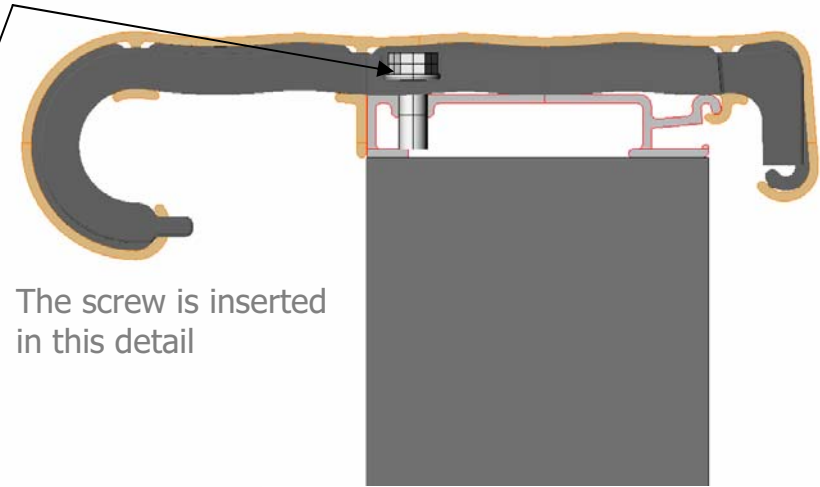
08-030 EZ Panel – Top Ledge assembly



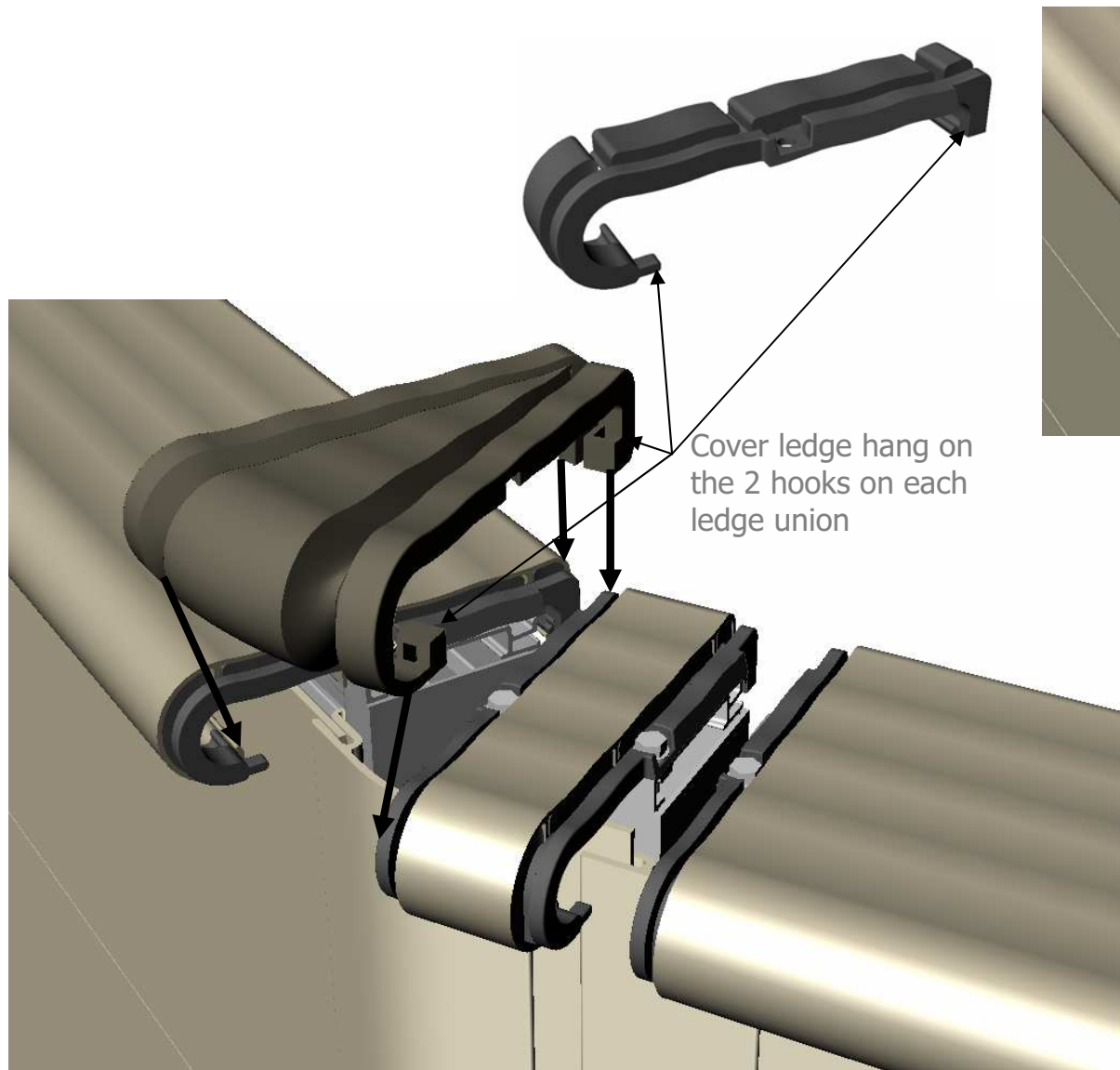
Top Ledge is attached in front to the coping extrusion and pivot back to sit on the panel

08-030 EZ Panel – Top Ledge assembly

A self-drilling screw secure the top ledge to the panel

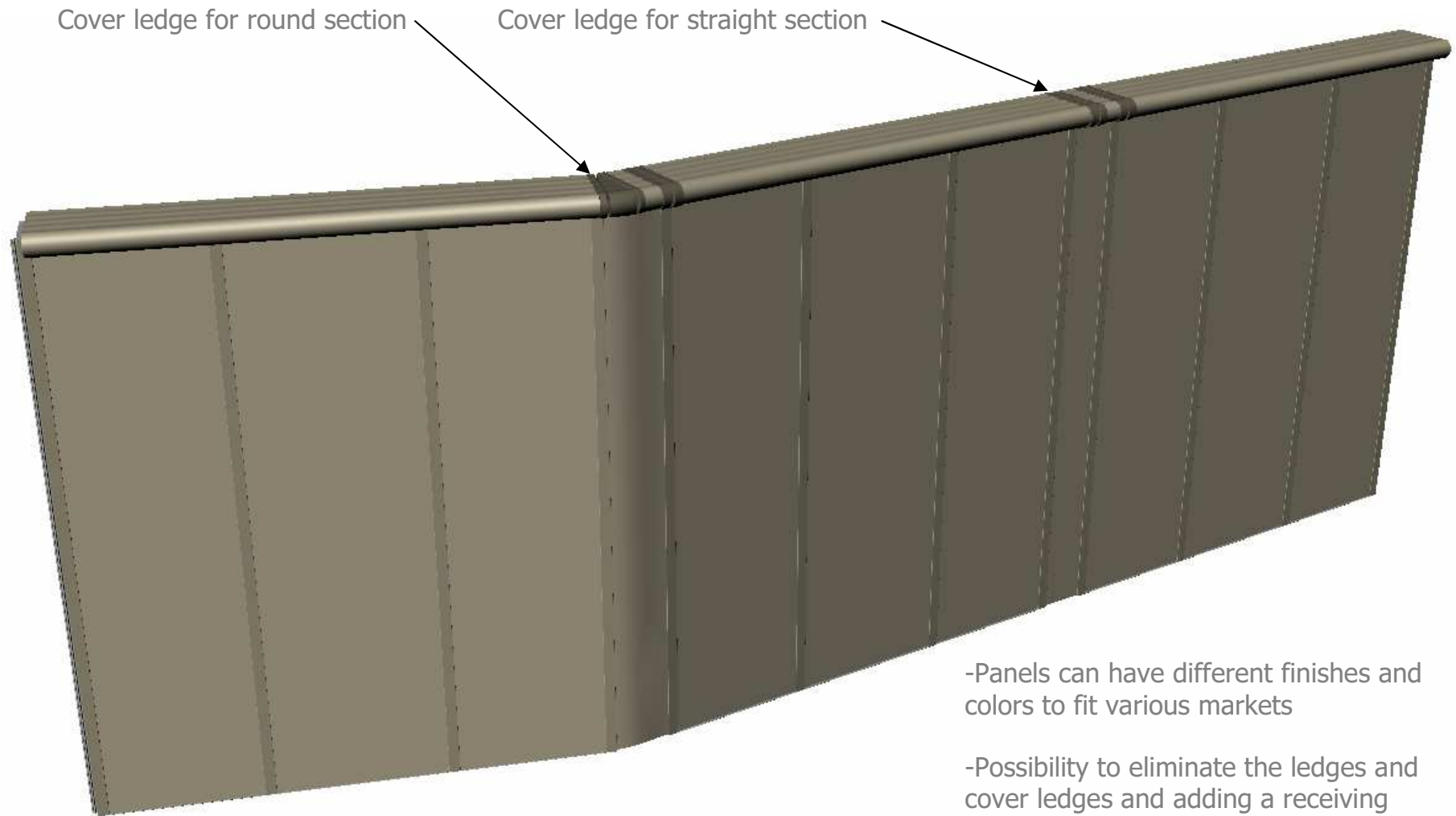


08-030 EZ Panel – Cover ledge assembly



Cover ledge is made of elastomer (Santoprene, similar to Allegro pool) and snap over the ledge union.
One for all angles, one for straight sections

08-030 EZ Panel- Assembled



-Panels can have different finishes and colors to fit various markets

-Possibility to eliminate the ledges and cover ledges and adding a receiving coping for either wood deck, aluminum deck, concrete or paved stone sidewalk