

# Pool Breakdown

## Barbados 18' Round 52"

### NB1524

<p><b><u>FEATURES:</u></b>          Round          Size: 18'          Depth: 52"          15 Year Warranty</p>	<p><b><u>STRUCTURE COMPOSITION:</u></b>          Rugged Steel Frame          Polymer Seat Caps          Protective Wall Coatings</p>
--	--

	Qty	Carton #	Carton Content Description
<input type="checkbox"/>	1	<b>1852-6HP-WS-2</b>	BARBADOS – 6 INCH TOP SEAT, 6 INCH VERTICAL, 5/8 INCH RAIL, INSTRUCTIONS, PAPERWORK
<input type="checkbox"/>	1	<b>18-6P-WS-3</b>	BARBADOS – 6 INCH JOINT, 6 INCH SEAT COVER, 6 INCH SEAT COVER BRACKET, SEAT COVER ASSEMBLY BOLT PACKAGE
<input type="checkbox"/>	1	<b>1852-HIG-W</b>	BARBADOS – WALL (HIGHLAND PARK GRAY), PLASTIC EDGING, 52" WALL JOINT PACKAGE

# Carton Breakdown

## Barbados 18' Round 52"

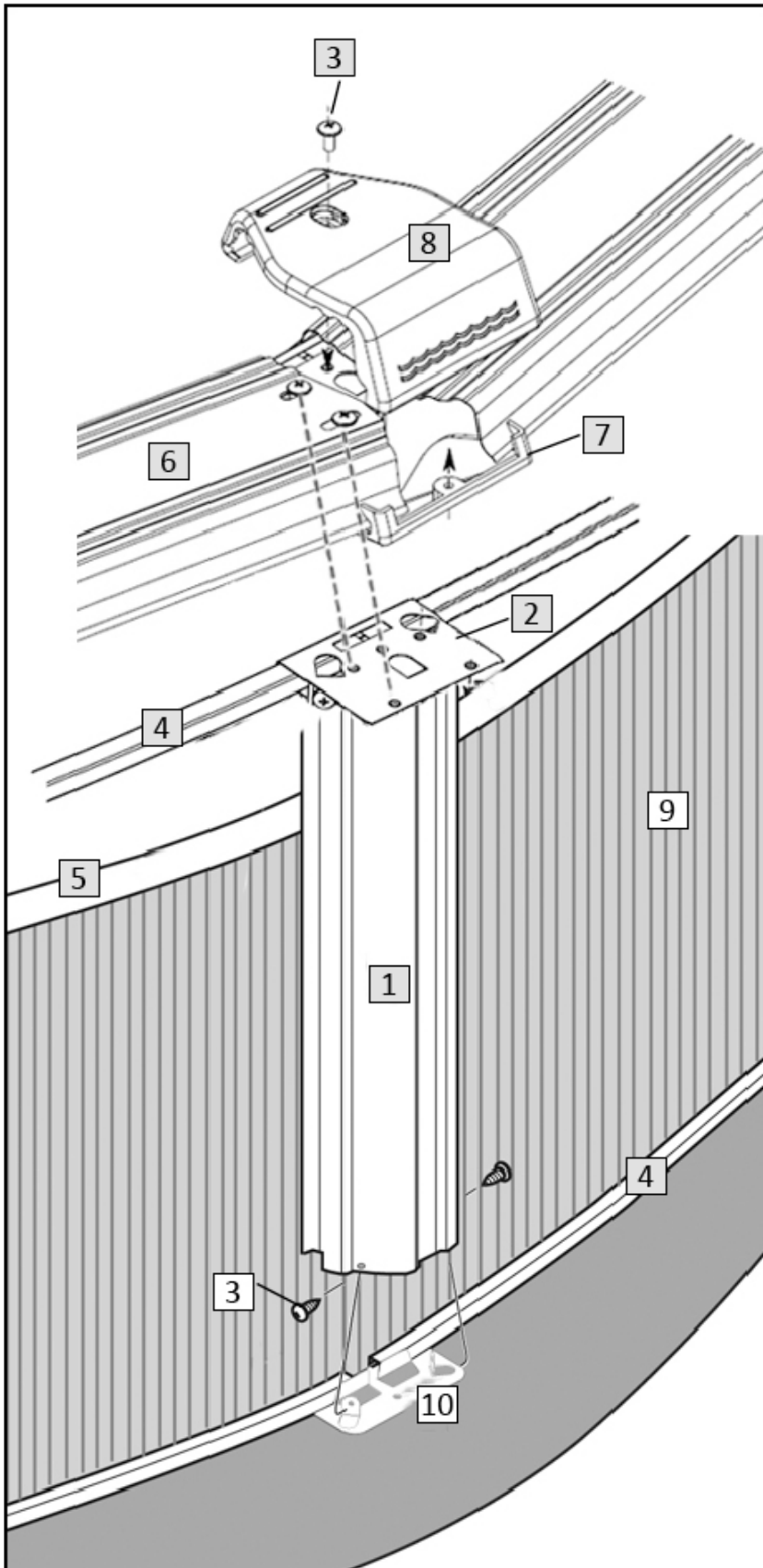
### NB1524

	Key #	Qty	Part #	Order #	Part Description
<b>FRAME CARTON # 1852-6HP-WS-2</b>					
<input type="checkbox"/>	4	24	1618	NBP1055	5/8in Rail L=1431mm (56-3/8")
<input type="checkbox"/>	6	12	1164	NBP1023	6in Top Seat L=1429 (56-1/4") 15ft
<input type="checkbox"/>	1	12	2366	NBP1028	6in Vertical (52" High)
<input type="checkbox"/>	---	1	0022	-----	Warranty
<input type="checkbox"/>	---	1	0023	-----	Safety Decals
<input type="checkbox"/>	---	1	0024	-----	Parts List + Frame Instruction
<input type="checkbox"/>	---	1	0025	-----	Safety Booklet
<input type="checkbox"/>	---	1	0001	-----	Round Instruction Manual
<b>FRAME CARTON # 18-6P-WS-3</b>					
<input type="checkbox"/>	2	12	2168	NBP1068	6in Resin Joint - Upper
<input type="checkbox"/>	10	12	2268	NBP1069	6in Resin Joint - Lower
<input type="checkbox"/>	8	12	2463	NBP1029	6in Seat Cover
<input type="checkbox"/>	7	12	2464	NBP1030	6in Seat Cover Bracket
<input type="checkbox"/>	<b>3</b>	<b>1</b>	<b>3318</b>	<b>NBP1032</b>	<b>SEAT COVER ASSEMBLY BOLT PACKAGE</b>
			*0341	-----	#12 Sheet Metal Screw (132)
			*2402	-----	Resin Seat Cover Cap (12)
<b>WALL CARTON # 1852-HIG-W</b>					
<input type="checkbox"/>	9	1	52" Wall	-----	Highland Park Gray
<input type="checkbox"/>	5	14	8100	-----	Plastic Edging
<input type="checkbox"/>	<b>3</b>	<b>1</b>	<b>0113</b>	<b>NBP1021</b>	<b>52" WALL JOINT BOLT PACKAGE</b>
			*0513	-----	1/4" x 1/2" Truss Head Screw (26)
			*0411	-----	1/4" Reinforcing Washer (51)
			*0611	-----	1/4" Nut (26)

\*These part #'s are not available to purchase separately. They must be purchased as part of the corresponding package.

# Barbados 18' Round 52"

NB1524



Key #	Part Description
1	6 in Vertical
2	Resin Upper Joint
3	Hardware
4	5/8" Rail
5	Plastic Edging
6	6in Top Seat
7	6in Seat Cover Bracket
8	6in Seat Cover
9	Wall
10	Resin Lower Joint